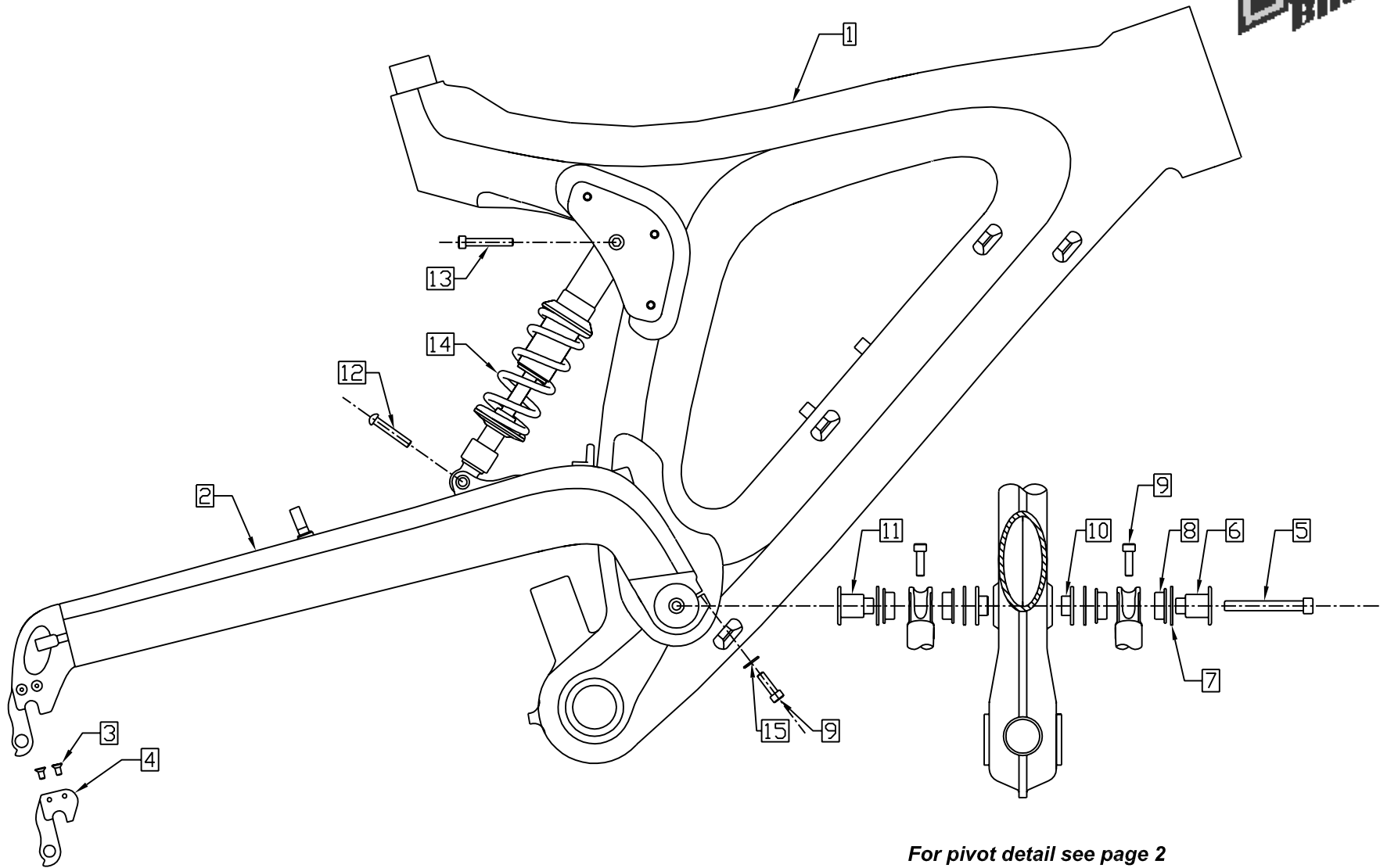
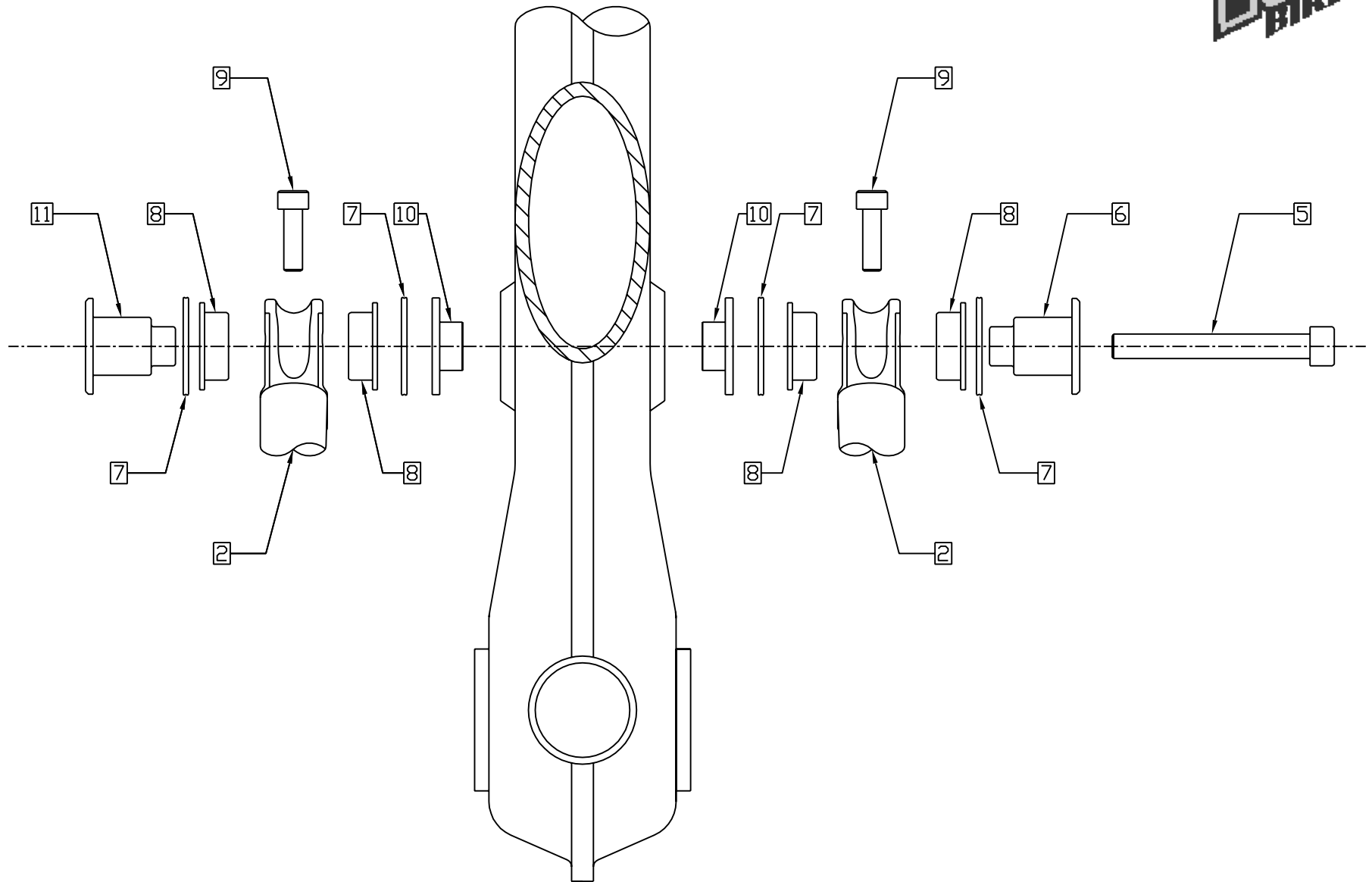


1999 CARBON FRAME ASSEMBLY



For pivot detail see page 2

1999 CARBON PIVOT ASSEMBLY



1999 CARBON FRAME ASSEMBLY

ITEM#	PART#	KIT#	QTY.	DESCRIPTION
1	16232-169M		1	99 FRONT TRIANGLE, OZ M MEDIUM
1	16232-189M		1	99 FRONT TRIANGLE, OZ M LARGE
1	16232-169X		1	99 FRONT TRIANGLE, OZ X MEDIUM
1	16232-189X		1	99 FRONT TRIANGLE, OZ X LARGE
2	15482		1	SWINGARM, CARBON
3	14495	RK011	2	SCREW, M4 X 8 FHCS
4	14926-1	RK011	1	DERAILLEUR HANGER KIT FS BIKES
5	15311		1	SCREW, M8 X 1.25 X 65 SHCS
6	15709		1	PIVOT AXLE, RIGHT
7	14739-2	RK008	4	QUAD RING
8	15710	RK008	4	BEARING, FLANGED
9	14474		2	SCREW, M6 X 1.0 X 20 SHCS
10	15064		2	PIVOT FACE INSERT
11	15708		1	PIVOT AXLE, LEFT THREADED
12	15630		1	SCREW, M6 X 1.0 X 38 BHCS
13	15945		1	SCREW, M6 X 1.0 X 52 SHCS
14	SHOCK		1	SHOCK ASSEMBLY, NR-2 SHOWN
15	15634		2	RUBBER GASKET, CARBON SWINGARM



19215 Vashon Hwy. S.W. • Vashon WA 98070 • 206 463 8800 • www.k2bikes.com