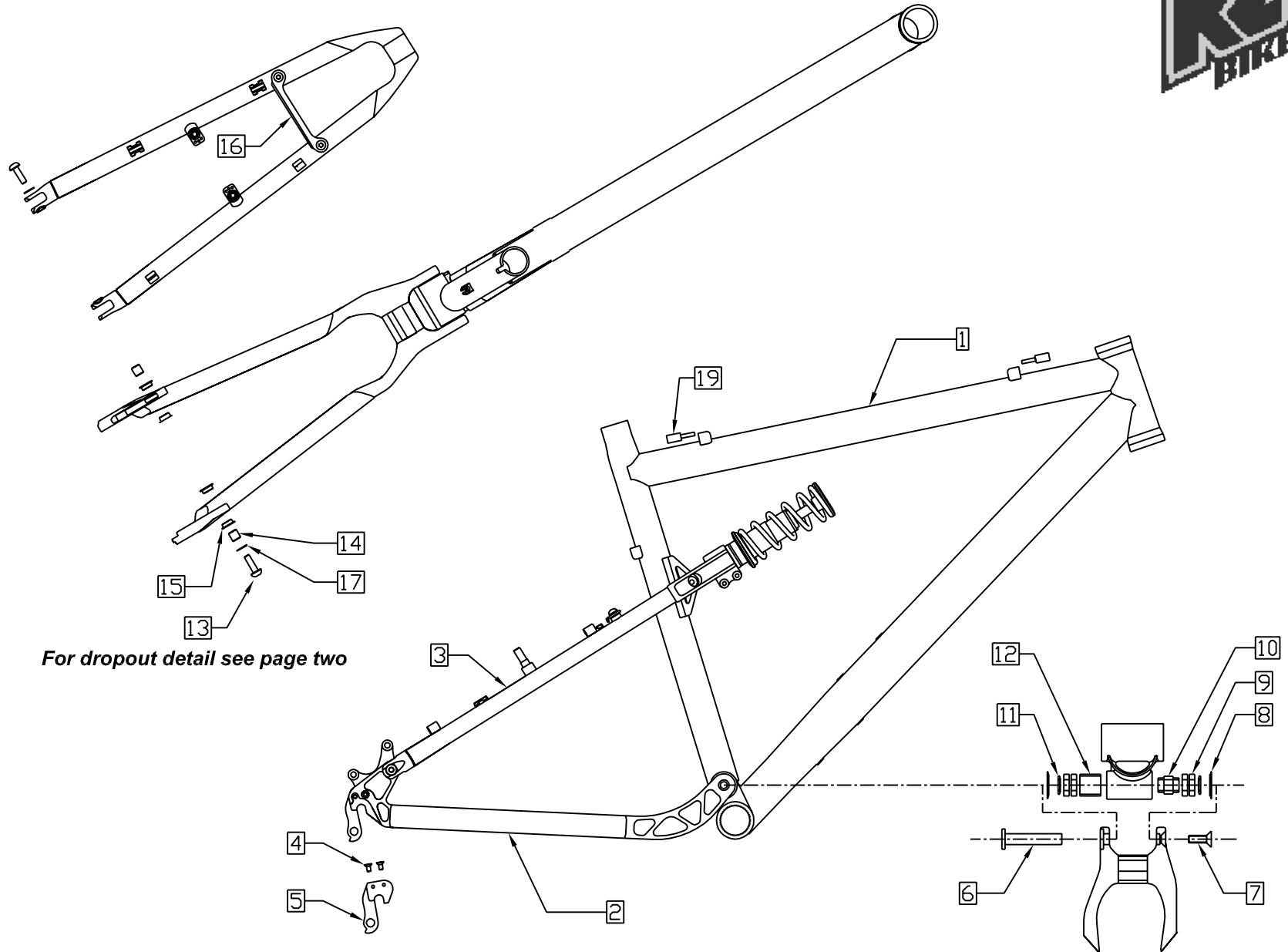


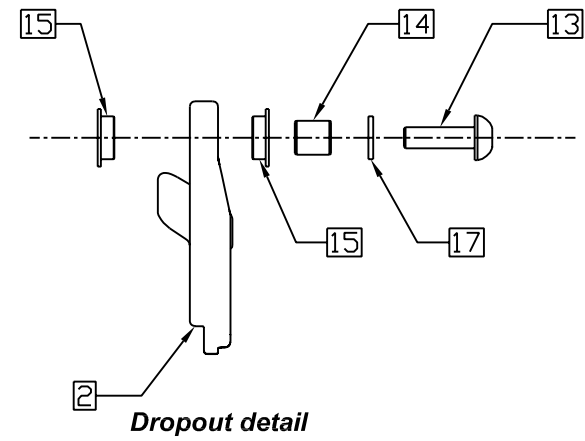
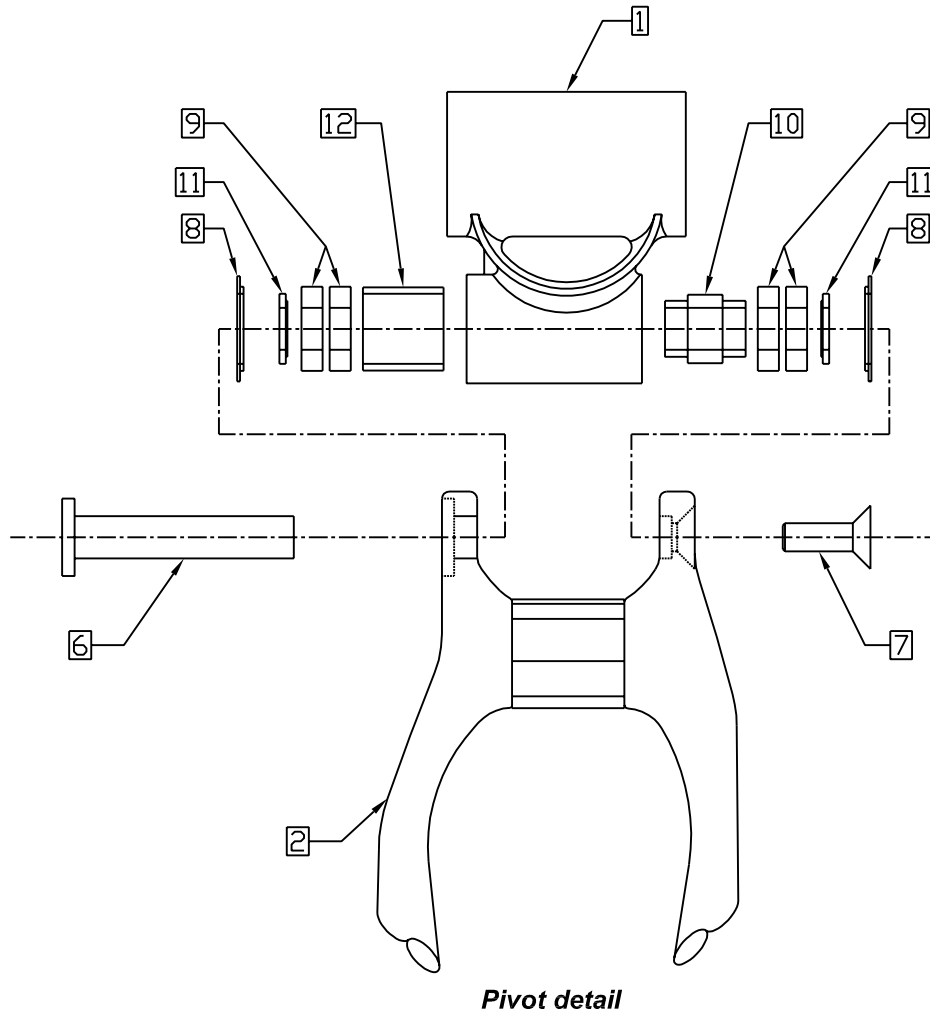
1999 RAZORBACK FRAME ASSEMBLY



For dropout detail see page two

For pivot detail see page 2

1999 RAZORBACK PIVOT ASSEMBLY



1999 RAZORBACK FRAME ASSEMBLY

ITEM#	PART#	KIT#	QTY.	DESCRIPTION
1	16360-149		1	99 FRONT TRIANGLE, RAZORBACK RS SMALL
1	16360-169		1	99 FRONT TRIANGLE, RAZORBACK RS MEDIUM
1	16360-189		1	99 FRONT TRIANGLE, RAZORBACK RS LARGE
1	16360-209		1	99 FRONT TRIANGLE, RAZORBACK RS WAY BIG
2	16298-9		1	99 CHAINSTAY, RS
3	16359-19		1	99 SEATSTAY RS, SMALL/MEDIUM
3	16359-29		1	00 SEATSTAY RS, LARGE/WAY BIG
4	14995	RK011	2	SCREW, M4 X 8 FHCS
5	14926-1	RK011	1	DERAILLEUR HANGER KIT FS BIKES
6	16338		1	PIVOT AXLE
7	16335		1	SCREW, M8 X 1.25 X 20 BHCS
8	16348	RK009	1	SEAL, WASHER
9	16340	RK009	4	BEARING
10	16345		1	PIVOT SPACER, INNER
11	16346		2	WASHER, ALUMINUM
12	16347		1	PIVOT SPACER, OUTER
13	14125		2	SCREW, M6 X 1 X 20 BHCS
14	16339		2	SPACER
15	16341	RK009	4	BEARING, FLANGED
16	16344		1	SEATSTAY BRACE
17	16633		2	WASHER
18	2261		1	99 NOLEEN COIL PULL SHOCK
19	14578		2	FERRULE, FRAME



19215 Vashon Hwy. S.W. • Vashon WA 98070 • 206 463 8800 • www.k2bikes.com