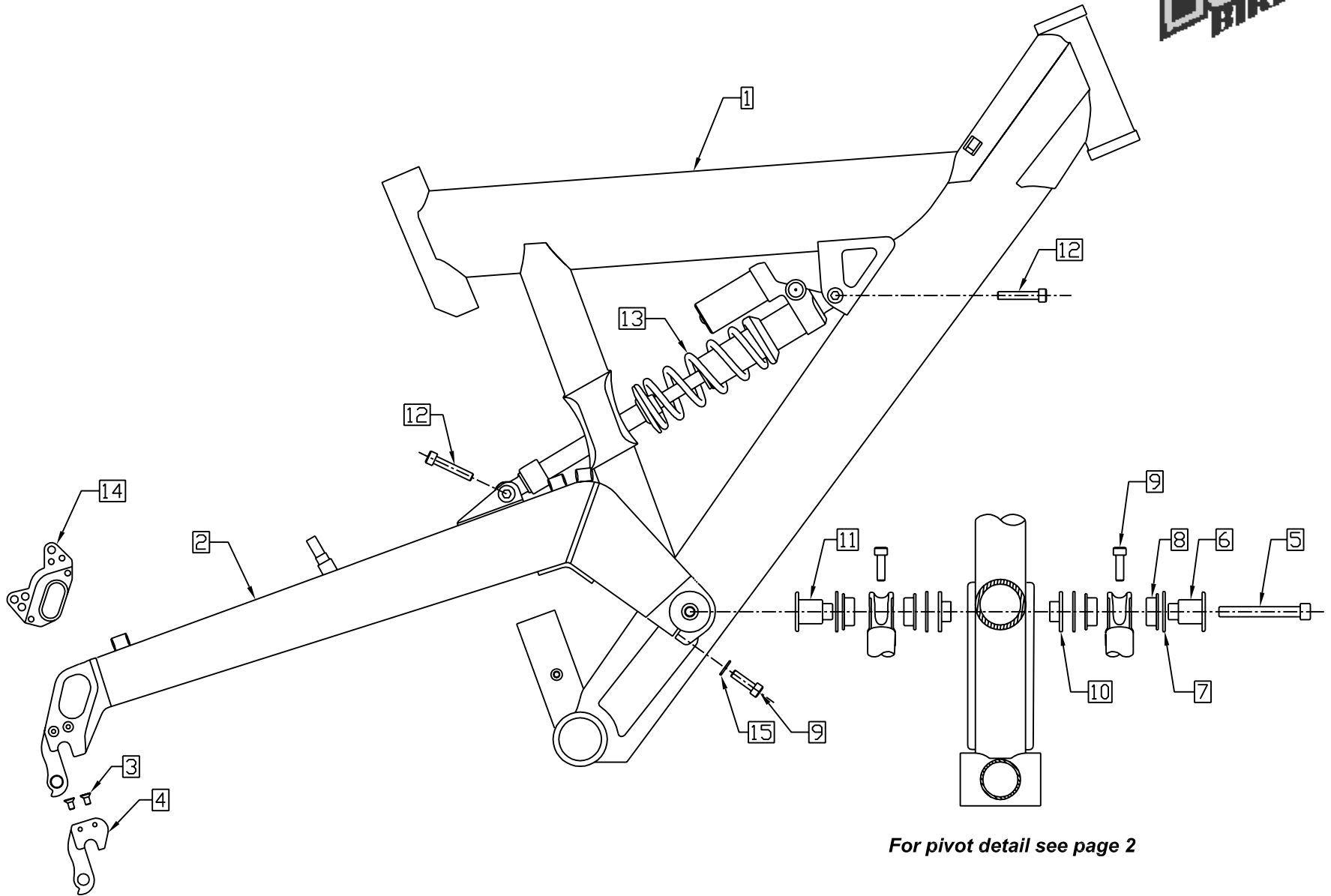
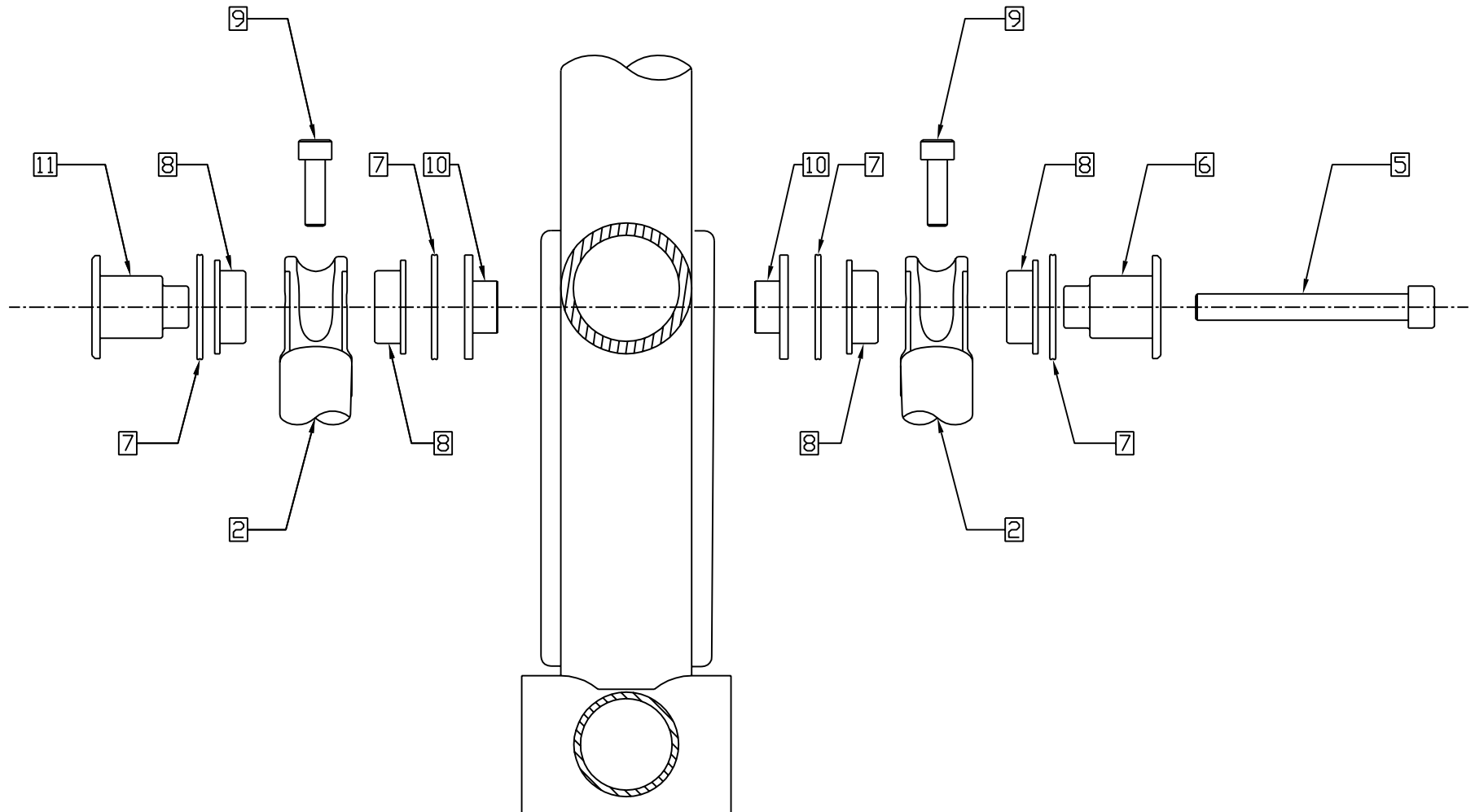


# 1999 ZERO G FRAME ASSEMBLY



For pivot detail see page 2

# 1999 ZERO G PIVOT ASSEMBLY



## 1999 ZERO G FRAME ASSEMBLY

ITEM#	PART#	KIT#	QTY.	DESCRIPTION
1	15512-14-DH9		1	99 FRONT TRIANGLE, ZERO G SMALL
1	15512-16-DH9		1	99 FRONT TRIANGLE, ZERO G MEDIUM
2	15587-A8		1	99 SWINGARM, ZERO G
3	14495	RK011	2	SCREW, M4 X 8 FHCS
4	14926-1	RK011	1	DERAILLEUR HANGER KIT FS BIKES
5	15311		1	SCREW, M8 X 1.25 X 65 SHCS
6	15709		1	PIVOT AXLE, RIGHT
7	14739-2	RK008	4	QUAD RING
8	15710	RK008	4	BEARING, FLANGED
9	14474		2	SCREW, M6 X 1.0 X 20 SHCS
10	15064		2	PIVOT FACE INSERT
11	15708		1	PIVOT AXLE, LEFT THREADED
12	15630		2	SCREW, M6 X 1.0 X 38 SHCS
13	SHOCK		1	SHOCK ASSEMBLY, NR-4 SHOWN
14	5996	5996	1	INTERNATIONAL STANDARD DISK BRAKE ADAPTOR
15	15711		2	RUBBER GASKET, ALUMINUM SWINGARM



19215 Vashon Hwy. S.W. • Vashon WA 98070 • 206 463 8800 • [www.k2bikes.com](http://www.k2bikes.com)