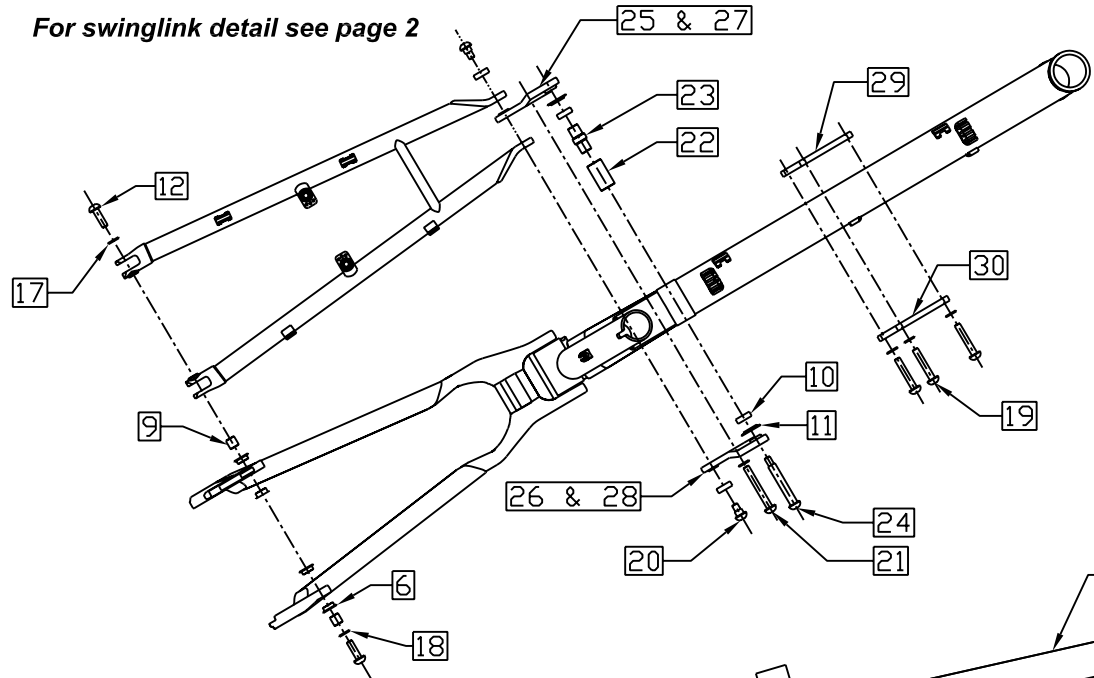


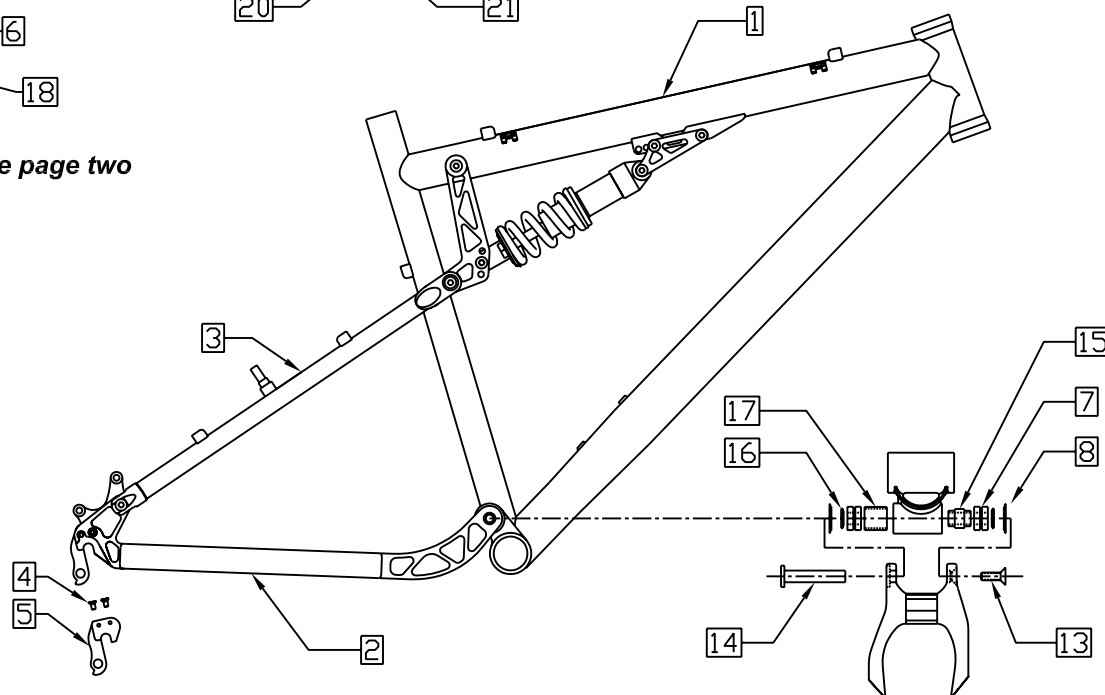
2001 ATTACK 4.0 FRAME ASSEMBLY



For swinglink detail see page 2

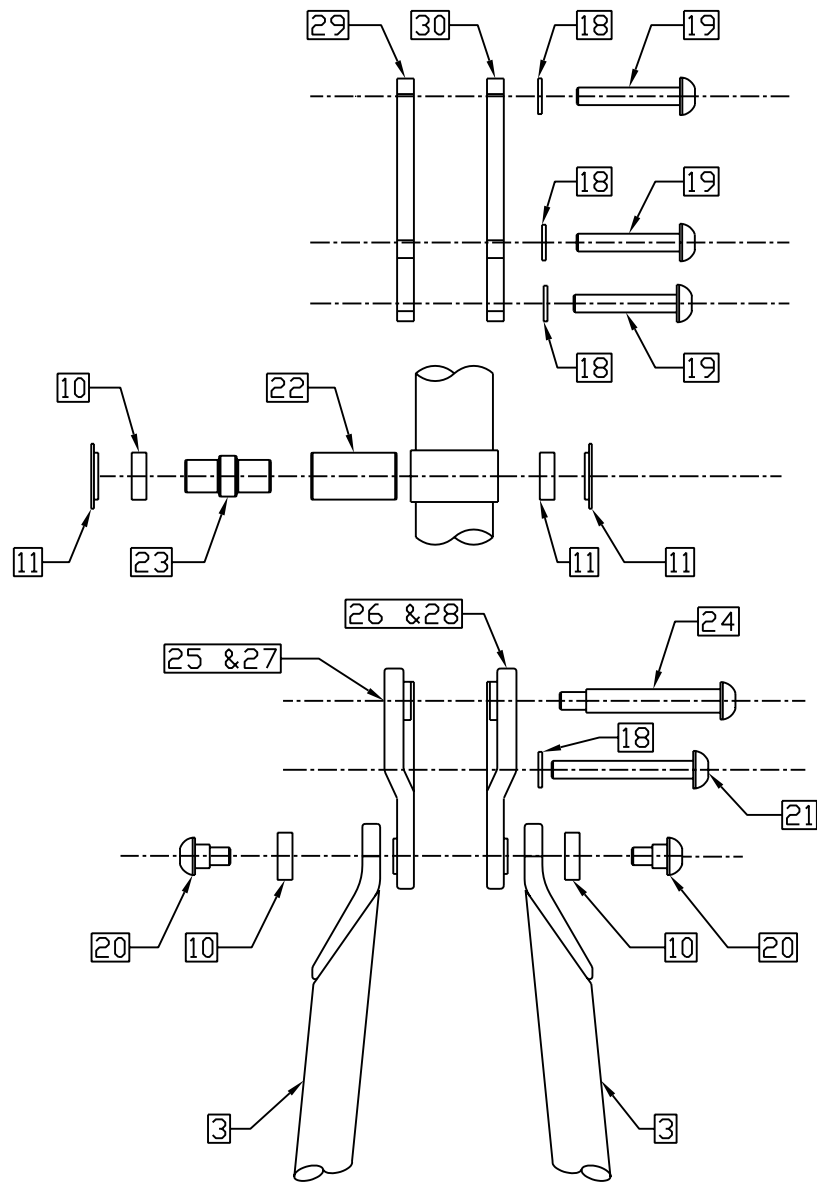


For dropout detail see page two

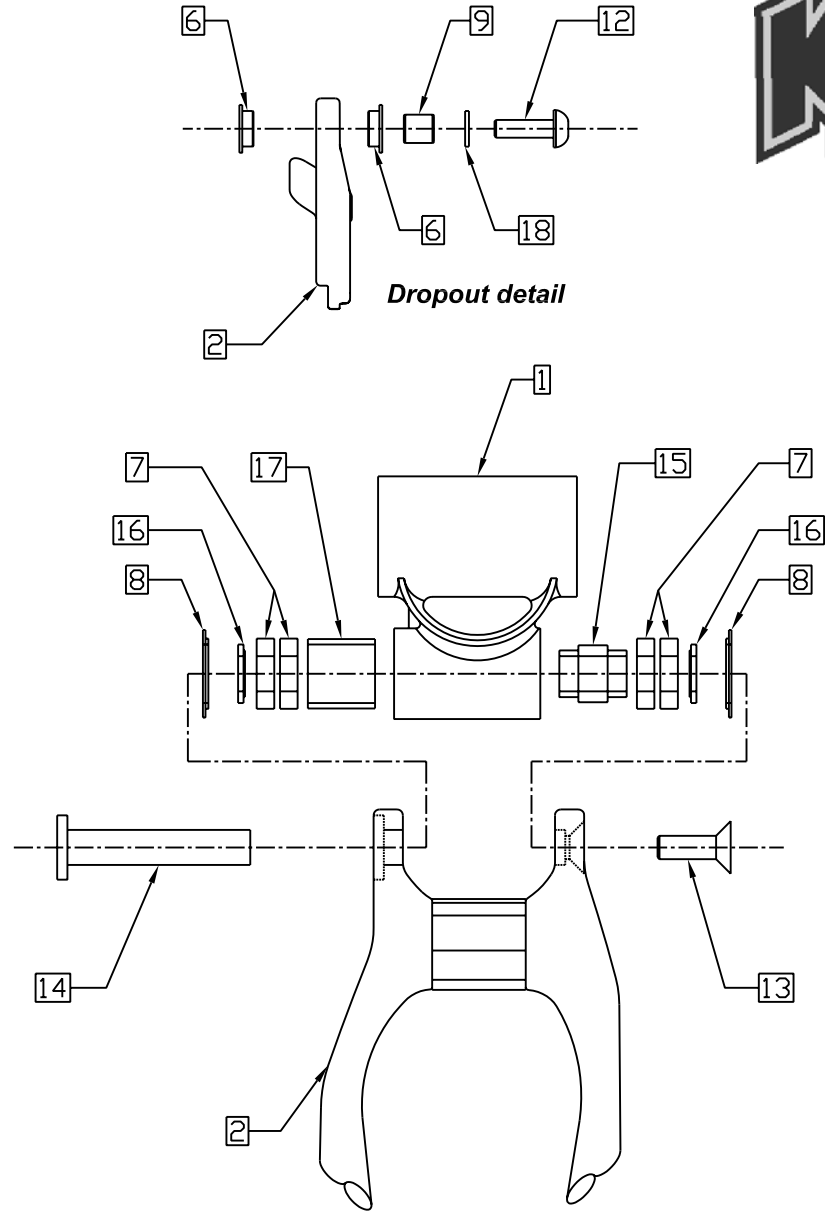


For pivot detail see page 2

2001 ATTACK 4.0 PIVOT ASSEMBLY



Swinglink detail



Pivot detail

2001 ATTACK 4.0 FRAME ASSEMBLY

ITEM#	PART#	KIT#	QTY.	DESCRIPTION
1	F012020		1	01 FRONT TRIANGLE ATTACK 4.0 SM
1	F012040		1	01 FRONT TRIANGLE ATTACK 4.0 MD
1	F012060		1	01 FRONT TRIANGLE ATTACK 4.0 LG
1	F012080		1	01 FRONT TRIANGLE ATTACK 4.0 WB
2	F012030		1	01 CHAINSTAY ATTACK 4.0
3	F012050		1	01 SEATSTAY ATTACK 4.0
4	14995	RK011	2	SCREW M4 X 8 FHCS
5	14926-1	RK011	1	DERAILLEUR HANGER KIT FS BIKES
6	16341	RK009	4	BEARING FLANGED
7	16340	RK009	4	CARTRIDGE BEARING
8	16348	RK009	2	SEAL WASHER
9	16339	K013014	2	SPACER
10	16672	K013014	4	CARTRIDGE BEARING
11	16680	K013014	2	SEAL WASHER FRAME
12	14125		2	SCREW M6 X 1 X 20 BHCS
13	16335		1	SCREW M8 X 1.25 X 20 SHCS
14	16338		1	PIVOT AXLE
15	16345		1	INNER SPACER PIVOT
16	16346		2	WASHER
17	16347		1	OUTER SPACER PIVOT
18	16633		6	WASHER
19	16667		3	SCREW M6 X 1 X 38 BHCS
20	16673		2	SCREW M6 X 1 X 5 BHCS WITH SHOULDER
21	16674		1	SCREW M6 X 1 X 50 BHCS
22	16677		1	OUTER SPACER FRAME
23	16678		1	INNER SPACER FRAME
24	16679		1	SCREW M6 X 1 X 40 BHCS
25	16662-1		1	SWINGLINK SMALL LEFT
26	16662-2		1	SWINGLINK SMALL RIGHT
27	16662-3		1	SWINGLINK LARGE LEFT
28	16662-4		1	SWINGLINK LARGE RIGHT
29	16664-1		1	SHOCK MOUNT PLATE LEFT
30	16664-2		1	SHOCK MOUNT PLATE RIGHT



19215 Vashon Hwy. S.W. • Vashon WA 98070 • 206 463 8800 • www.k2bikes.com