



# 2001 Spring Rate Chart



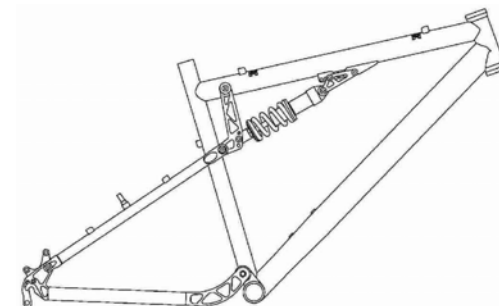
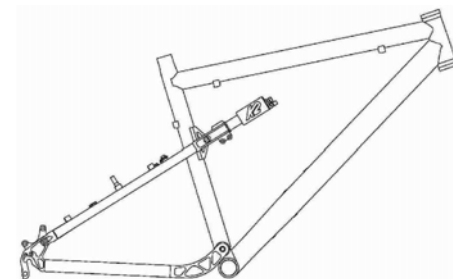
How to set up the bike

- Select the proper spring rate for rider weight.
- Check for proper sag. Between 20 and 30% of the shock stroke for Cross country use.
- Adjust the preload to obtain the proper amount of sag.
- Do not preload a spring more than five full turns.
- Mover to a higher spring rate if there is still too much sag, or move to a lower spring rate if there is not enough sag.

Rider weight in pounds	Rider weight in kilogram	Spring rate		Part number	
------------------------	--------------------------	-------------	--	-------------	--

RAZORBACK		SM/MD	LG/WB	SM/MD	LG/WB
90-130	40-60	100psi	90psi	N/A	
120-160	55-75	120psi	110psi	N/A	
150-190	70-85	140psi	130psi	N/A	
180-220	80-100	155psi	145psi	N/A	
210-250	95-115	170psi	160psi	N/A	

ATTACK 4.0		SM/MD	LG/WB	SM/MD	LG/WB
90-130	40-60	550in/lbs	500in/lbs	NB2-550	NB2-500
120-160	55-75	600in/lbs	550in/lbs	NB2-600	NB2-550
150-190	70-85	650in/lbs	600in/lbs	NB2-650	NB2-600
180-220	80-100	700in/lbs	650in/lbs	NB2-700	NB2-650
210-250	95-115	750in/lbs	700in/lbs	NB2-750	NB2-700





# 2001 Spring Rate Chart



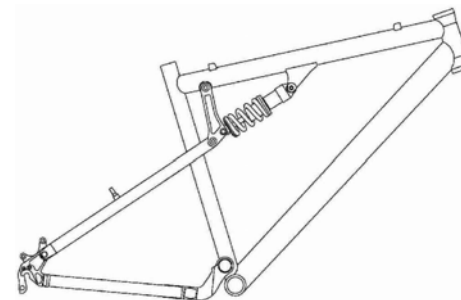
How to set up the bike

- Select the proper spring rate for rider weight.
- Check for proper sag. Between 20 and 30% of the shock stroke for Cross country use.
- Adjust the preload to obtain the proper amount of sag.
- Do not preload a spring more than five full turns.
- Mover to a higher spring rate if there is still too much sag, or move to a lower spring rate if there is not enough sag.

Rider weight in pounds	Rider weight in kilogram	Spring rate	Part number
------------------------	--------------------------	-------------	-------------

## ATTACK 2.0 & 3.0

90-130	40-60	500in/lbs	NB2-500
120-160	55-75	550in/lbs	NB2-550
150-190	70-85	600in/lbs	NB2-600
180-220	80-100	650in/lbs	NB2-650
210-250	95-115	700in/lbs	NB2-700



## EVO

90-130	40-60	450in/lbs	NB2-450
120-160	55-75	500in/lbs	NB2-500
150-190	70-85	550in/lbs	NB2-550
180-220	80-100	600in/lbs	NB2-600
210-250	95-115	650in/lbs	NB2-650

