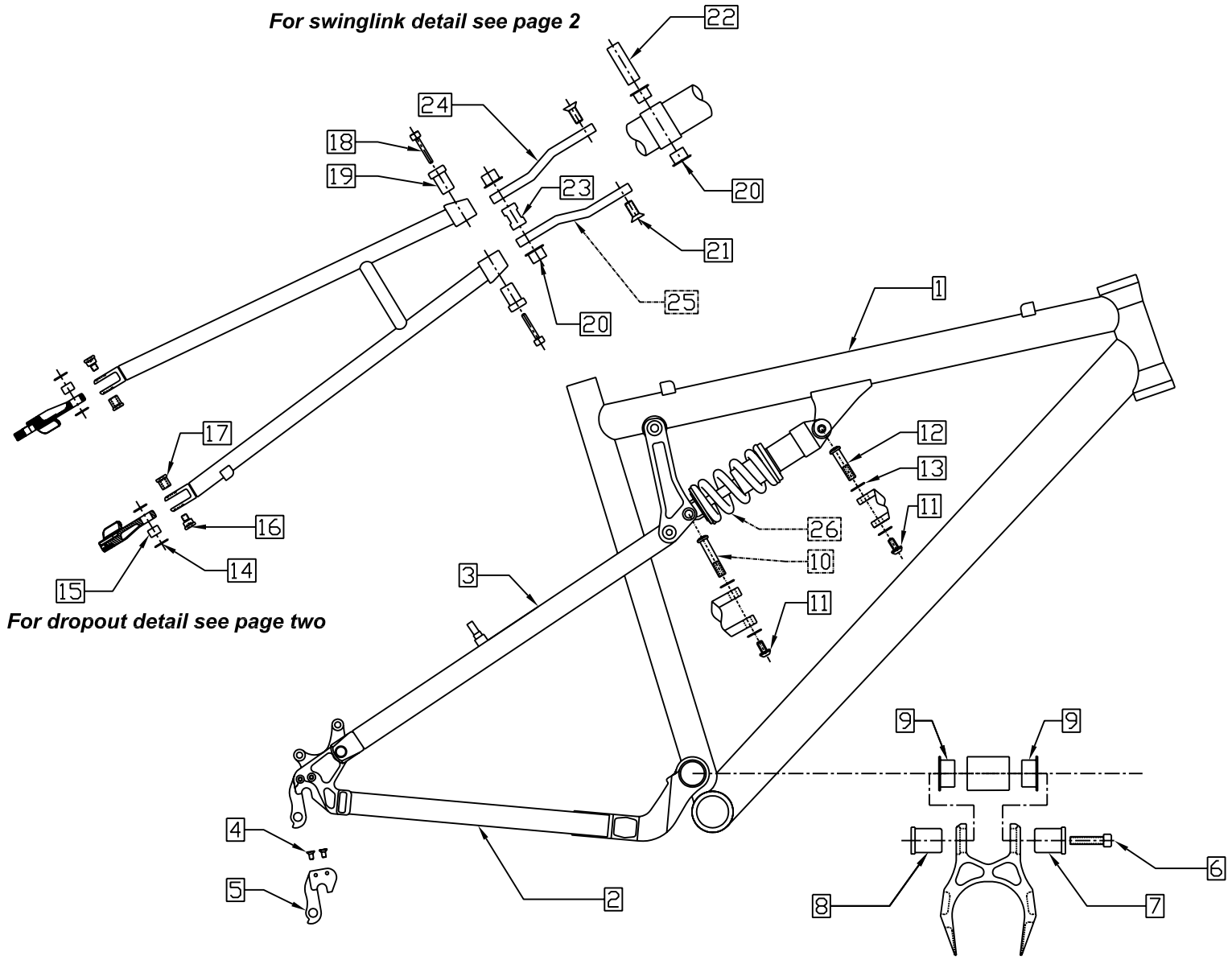


# 2002 ATTACK 3.0 & 2.0 FRAME ASSEMBLY



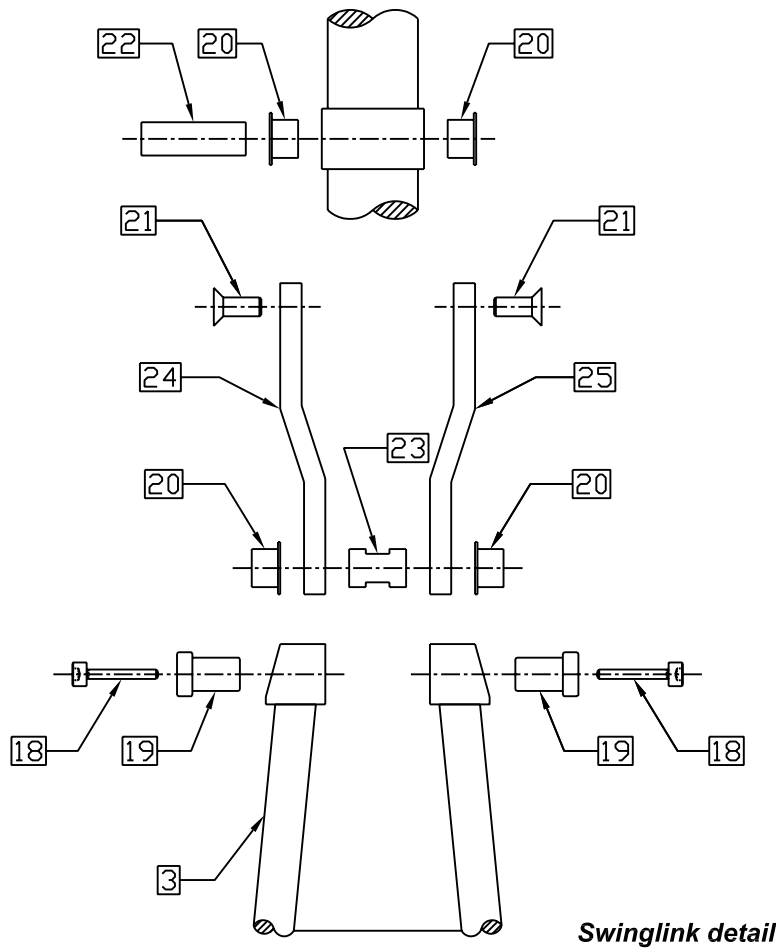
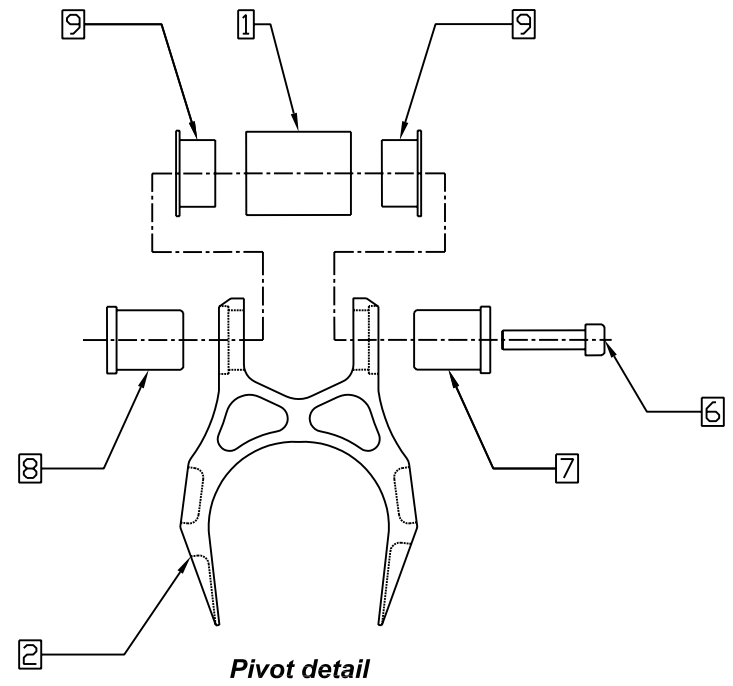
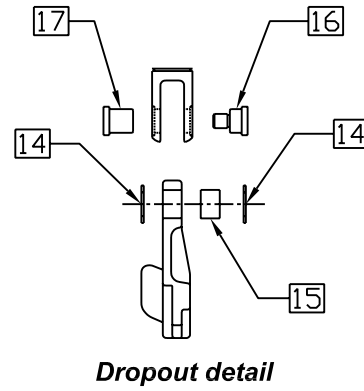
For swinglink detail see page 2



For dropout detail see page two

For pivot detail see page 2

# 2002 ATTACK 3.0 & 2.0 PIVOT ASSEMBLY



## 2002 ATTACK 3.0 & 2.0 FRAME ASSEMBLY

ITEM#	PART#	KIT#	QTY.	DESCRIPTION
1	F022220		1	02 FRONT TRIANGLE ATTACK 3.0 SMALL
1	F022240		1	02 FRONT TRIANGLE ATTACK 3.0 MEDIUM
1	F022260		1	02 FRONT TRIANGLE ATTACK 3.0 LARGE
1	F022280		1	02 FRONT TRIANGLE ATTACK 3.0 WAY BIG
1	F022320		1	02 FRONT TRIANGLE ATTACK 2.0 SMALL
1	F022340		1	02 FRONT TRIANGLE ATTACK 2.0 MEDIUM
1	F022360		1	02 FRONT TRIANGLE ATTACK 2.0 LARGE
1	F022380		1	02 FRONT TRIANGLE ATTACK 2.0 WAY BIG
2	F022230		1	02 CHAINSTAY ATTACK 3.0
2	F022330		1	02 CHAINSTAY ATTACK 2.0
3	F022250		1	02 SEATSTAY ATTACK 3.0
3	F022350		1	02 SEATSTAY ATTACK 2.0
4	14995	RK011	2	SCREW M4 X 8 FHCS
5	14926-1	RK011	1	DERAILLEUR HANGER KIT FS BIKES
6	28-9005-H-L		1	SCREW M8 X 1 X 45 SHCS
7	28-9088-0	K013015	1	PIVOT AXLE LEFT
8	28-9088-1	K013015	1	PIVOT AXLE RIGHT THREADED
9	28-9016-7	K013015	2	BUSHING FLANGED
10	28-9078-7		1	SCREW M6 X 1 X 8 X 42
11	28-9078-2		1	SCREW
12	28-9078-1		1	SCREW M6 X 1 X 8 X 34
13	28-3000-4		4	WASHER
14	28-9015-1		4	WASHER
15	28-9016-6	K013015	2	BUSHING
16	28-5009-0	K013015	2	PIVOT AXLE MALE
17	28-5009-1	K013015	2	PIVOT AXLE FEMALE
18	28-5000-3-L		2	SCREW, M6 X 1 X 35 SHCS
19	28-8007-0	K013015	2	PIVOT AXLE SWING LINK
20	28-9016-2	K013015	4	BUSHING, FLANGED
21	28-5013-0-L		2	SCREW, M8 X 1.25 X 20 FHCS
22	28-8004-0	K013015	1	PIVOT AXLE SWING LINK FRAME
23	28-5010-0		1	SPACER SWING LINK
24	28-8126-0		1	SWING LINK LEFT
25	28-8126-1		1	SWING LINK RIGHT



19215 Vashon Hwy. S.W. • Vashon WA 98070 • 206 463 8800 • [www.k2bikes.com](http://www.k2bikes.com)