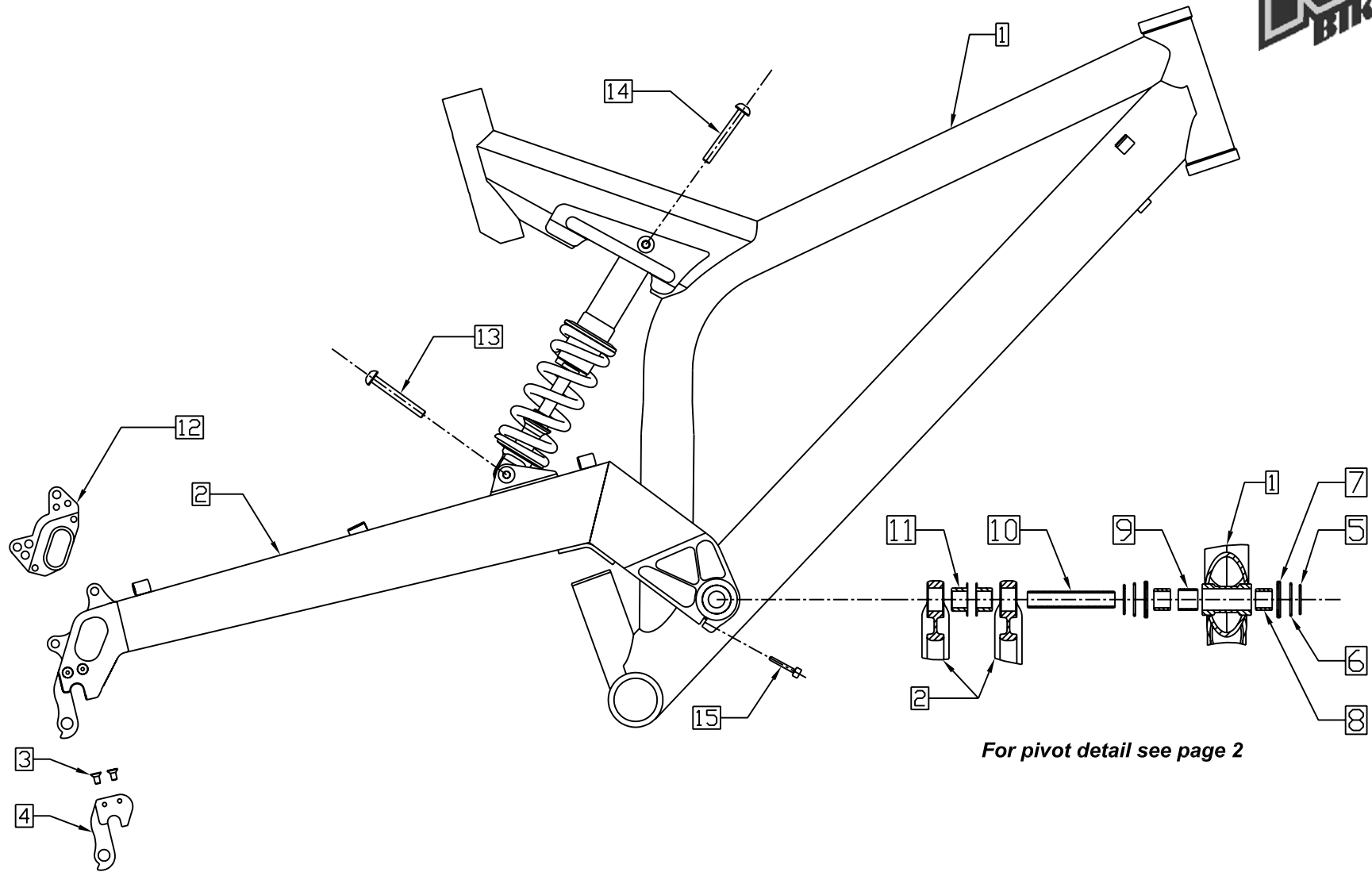
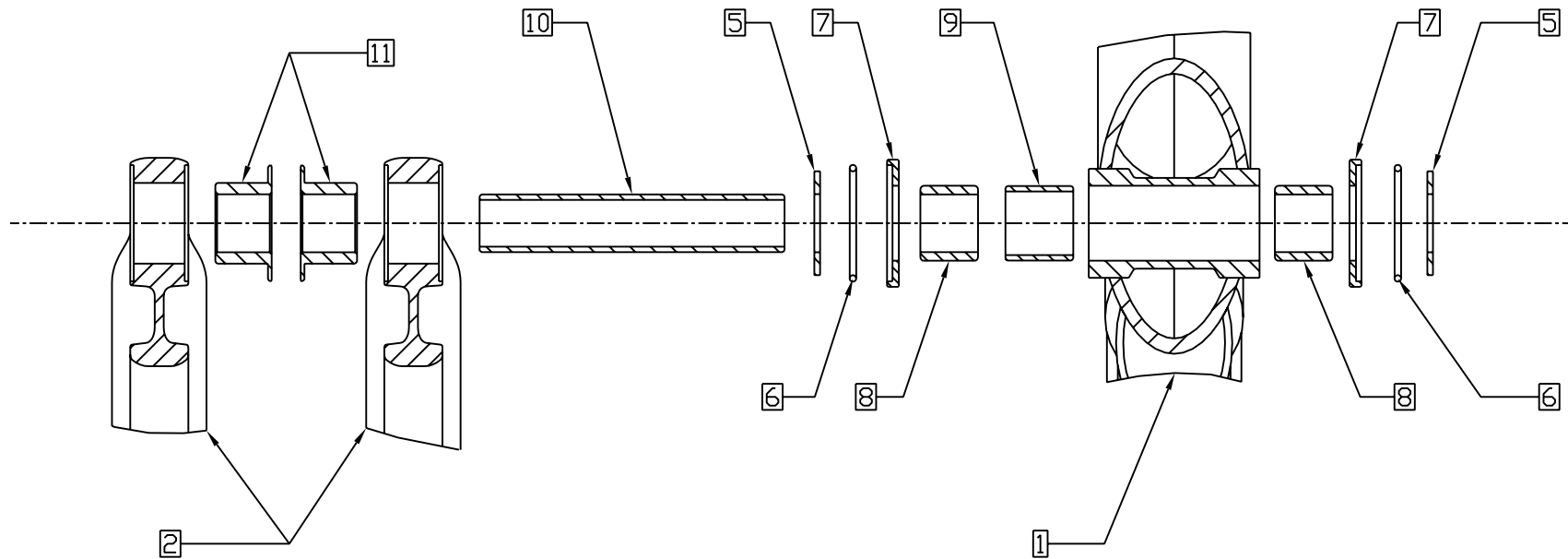


2002 DISCO & BUMPY MONKEY FRAME ASSEMBLY



2002 DISCO & BUMPY MONKEY PIVOT ASSEMBLY



2001 DISCO MONKEY FRAME ASSEMBLY

ITEM#	PART#	KIT#	QTY.	DESCRIPTION
1	F013020		1	01 FRONT TRIANGLE DISCO MONKEY SMALL
1	F013040		1	01 FRONT TRIANGLE DISCO MONKEY MEDIUM
1	F013060		1	01 FRONT TRIANGLE DISCO MONKEY LARGE
1	F013080		1	01 FRONT TRIANGLE DISCO MONKEY WAY BIG
2	F013030		1	01 SWINGARM DISCO MONKEY
3	14995	RK011	2	SCREW M4 X 8 FHCS
4	14926-1	RK011	1	DERAILLEUR HANGER KIT FS BIKES
5	16139	RK012	2	THRUST BEARING
6	16263	RK012	2	O-RING
7	16159		2	PIVOT INSERT
8	16137	RK012	2	NEEDLE BEARING
9	16138		1	BEARING SPACER
10	16093	RK012	1	PIVOT AXLE
11	16136		2	SPACER THROUGH AXLE
12	5996	5996	1	INTERNATIONAL STANDARD DISK BRAKE ADAPTOR
13	16181		1	SCREW M6 X 1 X 38 BHCS
14	14785		1	SCREW M6 X 1 X 45 BHCS (LG/WB)
14	15945		1	SCREW M6 X 1 X 52 BHCS (SM/MD)
15	14474		1	SCREW M6 X 1 X 20 SHCS



19215 Vashon Hwy. S.W. • Vashon WA 98070 • 206 463 8800 • www.k2bikes.com