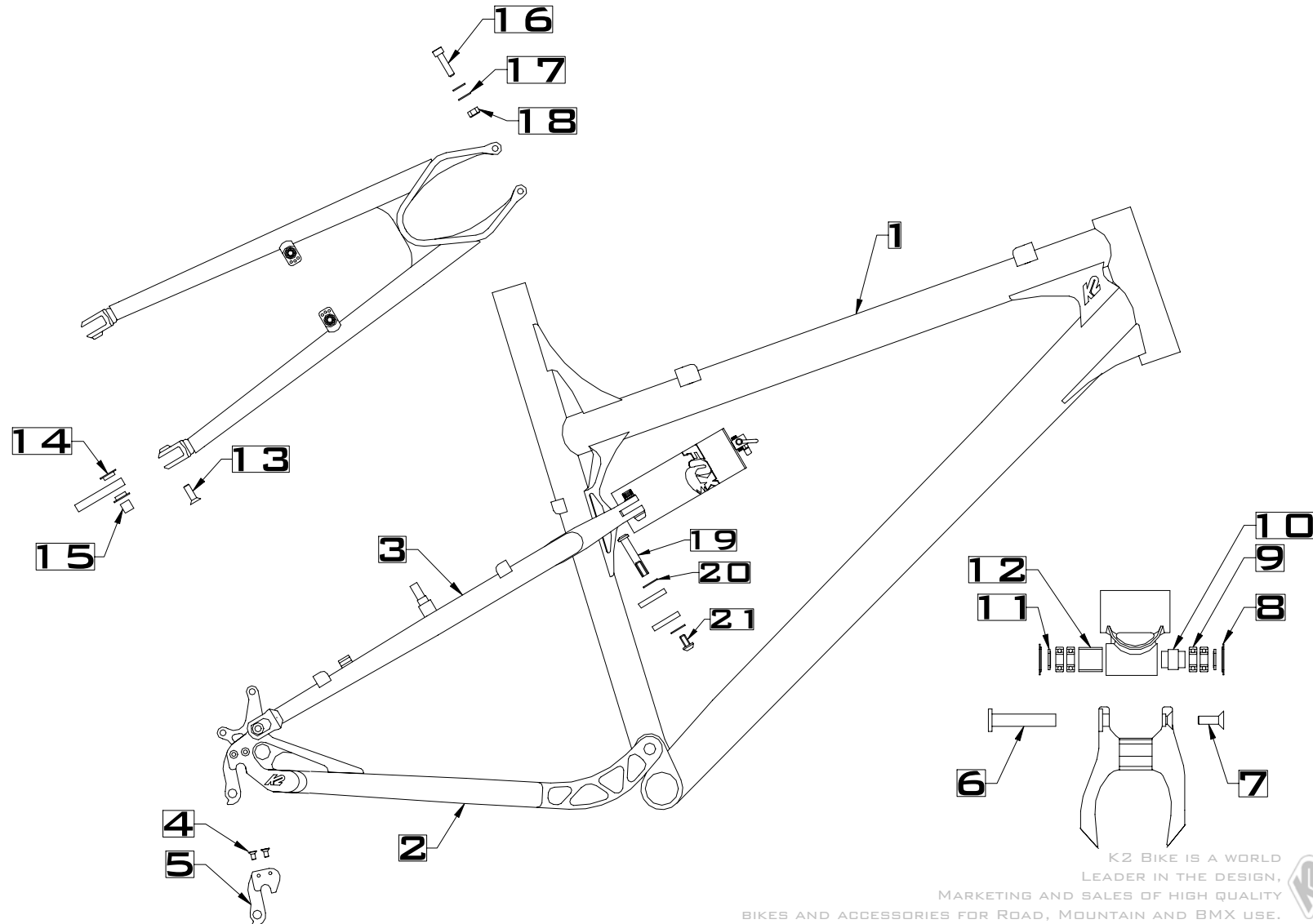




2003 RAZORBACK FRAME ASSEMBLY

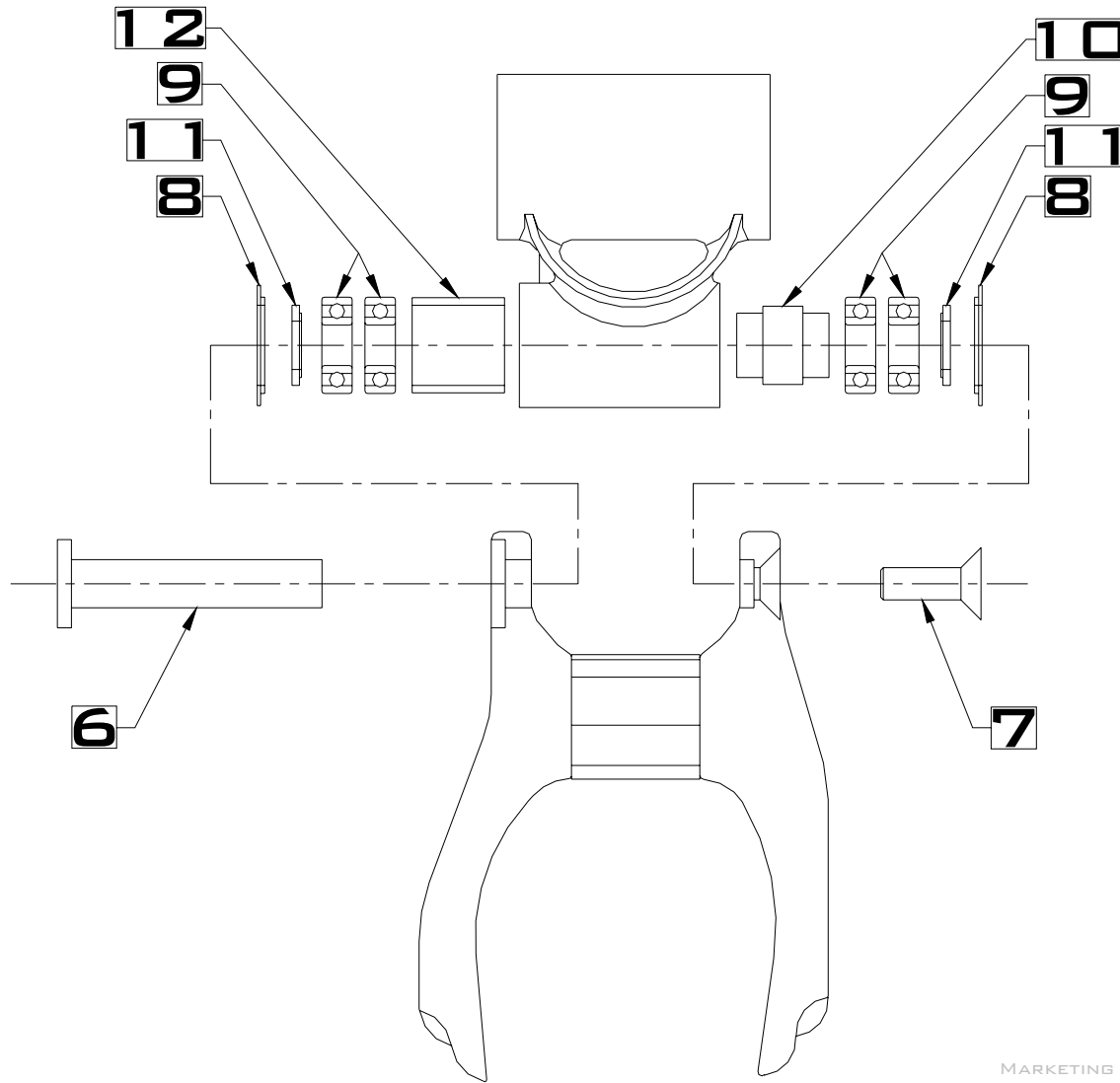


K2 BIKE IS A WORLD LEADER IN THE DESIGN, MARKETING AND SALES OF HIGH QUALITY BIKES AND ACCESSORIES FOR ROAD, MOUNTAIN AND BMX USE.





2003 RAZORBACK FRAME ASSEMBLY



K2 BIKE IS A WORLD LEADER IN THE DESIGN, MARKETING AND SALES OF HIGH QUALITY BIKES AND ACCESSORIES FOR ROAD, MOUNTAIN AND BMX USE.





2003 RAZORBACK FRAME ASSEMBLY

ITEM#	PART#	KIT#	QTY.	DESCRIPTION
1	K033008152		1	03 FRONT TRIANGLE RAZORBACK SL SMALL
1	K033008154		1	03 FRONT TRIANGLE RAZORBACK SL MEDIUM
1	K033008156		1	03 FRONT TRIANGLE RAZORBACK SL LARGE
1	K033008158		1	03 FRONT TRIANGLE RAZORBACK SL WAY BIG
1	K033010152		1	03 FRONT TRIANGLE RAZORBACK TEAM SMALL
1	K033010154		1	03 FRONT TRIANGLE RAZORBACK TEAM MEDIUM
1	K033010156		1	03 FRONT TRIANGLE RAZORBACK TEAM LARGE
1	K033010158		1	03 FRONT TRIANGLE RAZORBACK TEAM WAY BIG
1	K033011152		1	03 FRONT TRIANGLE RAZORBACK 4.0 SMALL
1	K033011154		1	03 FRONT TRIANGLE RAZORBACK 4.0 MEDIUM
1	K033011156		1	03 FRONT TRIANGLE RAZORBACK 4.0 LARGE
1	K033011158		1	03 FRONT TRIANGLE RAZORBACK 4.0 WAY BIG
1	K033013152		1	03 FRONT TRIANGLE RAZORBACK 3.0 SMALL
1	K033013154		1	03 FRONT TRIANGLE RAZORBACK 3.0 MEDIUM
1	K033013156		1	03 FRONT TRIANGLE RAZORBACK 3.0 LARGE
1	K033013158		1	03 FRONT TRIANGLE RAZORBACK 3.0 WAY BIG
2	K037701150		1	03 CHAINSTAY
3	K033006153		1	03 SEATSTAY SL SMALL/MEDIUM/LARGE
3	K033006157		1	03 SEATSTAY TEAM SL WAY BIG
3	K033009153		1	03 SEATSTAY TEAM SMALL/MEDIUM/LARGE
3	K033009157		1	03 SEATSTAY TEAM WAY BIG
3	K033012153		1	03 SEATSTAY 4.0 SMALL/MEDIUM/LARGE
3	K033012157		1	03 SEATSTAY 4.0 WAY BIG
3	K033014153		1	03 SEATSTAY 3.0 SMALL/MEDIUM/LARGE
3	K033014157		1	03 SEATSTAY 3.0 WAY BIG
4	14995	RK011	2	SCREW M4 X 8 FHCS
5	14926-1	RK011	1	DERAILLEUR HANGER KIT FS BIKES
6	28-9106-1	K025705151	1	PIVOT AXLE, MAIN PIVOT
7	28-9106-1	K025705151	1	SCREW M8 X 1.25 X 20 BHCS
8	28-9023-4	K025705151	2	SEAL WASHER, MAIN PIVOT
9	28-9038-4	K025705151	4	CARTRIDGE BEARING, MAIN PIVOT
10	28-8164-1		1	PIVOT SPACER INNER MAIN PIVOT
11	28-5028-0		2	PIVOT SPACER MAIN PIVOT
12	28-8164-0		1	PIVOT SPACER OUTER, MAIN PIVOT
13	28-5027-0-L		2	SCREW M6 X 1.0 X 20 FHCS
14	28-9023-3	K025705151	4	BEARING FLANGED
15	28-8165-1	K025705151	2	PIVOT SPACER
16	28-5000-7		2	SCREW, M6 X 1.0 X 25MM SHCS
17	28-3000-7		4	WASHER, Ø14 X Ø6.5 X 1MM
18	28-3001-4		2	NUT, M6
19	28-9078-3		1	SCREW, M6 X 1.0 X Ø8 X 32MM BHCS
20	28-3000-3		2	WASHER, Ø16.5 X Ø8.5 X 1.5MM
21	28-9078-3		1	SCREW, M6 X 1.0 X 12MM