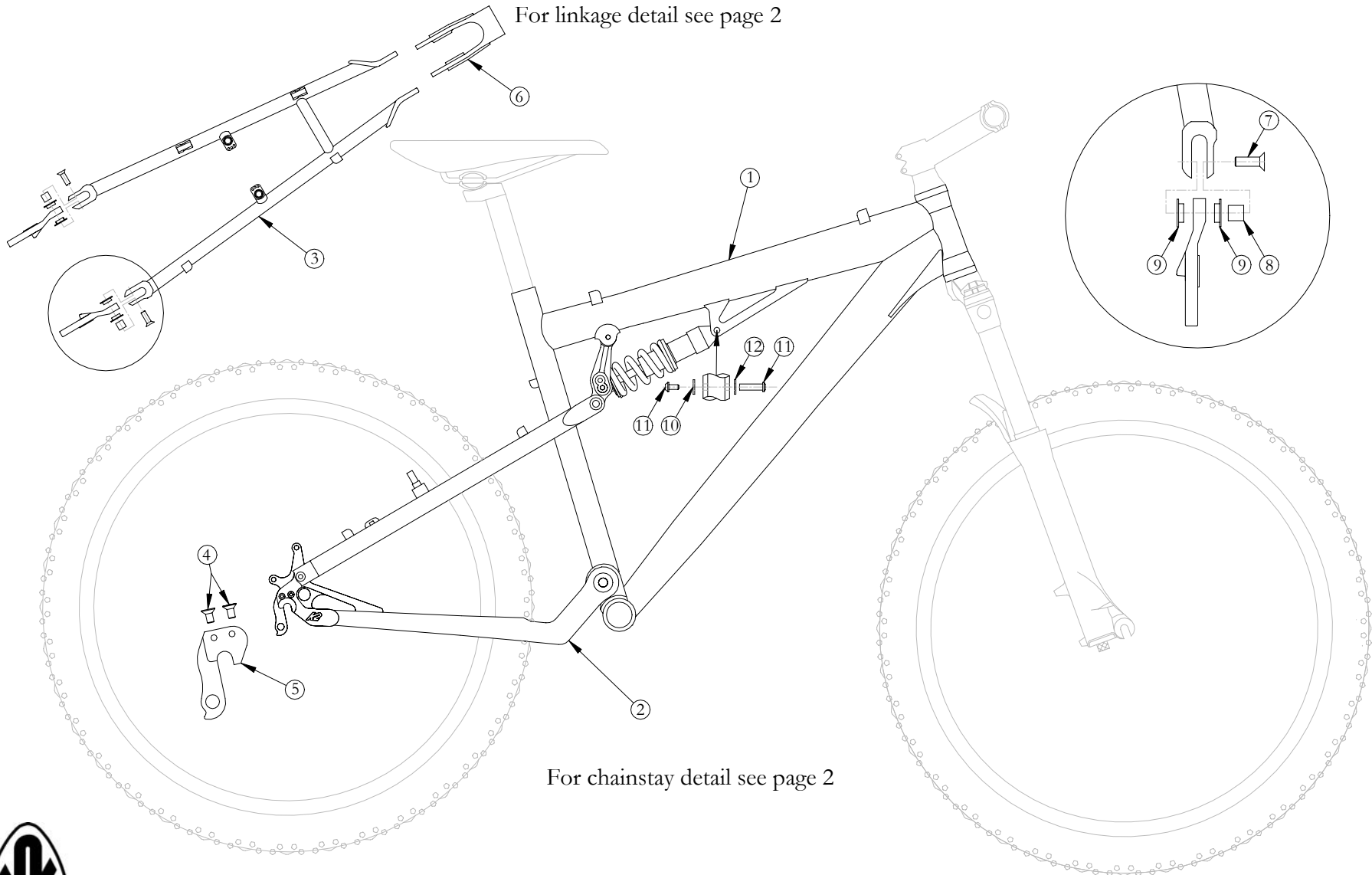
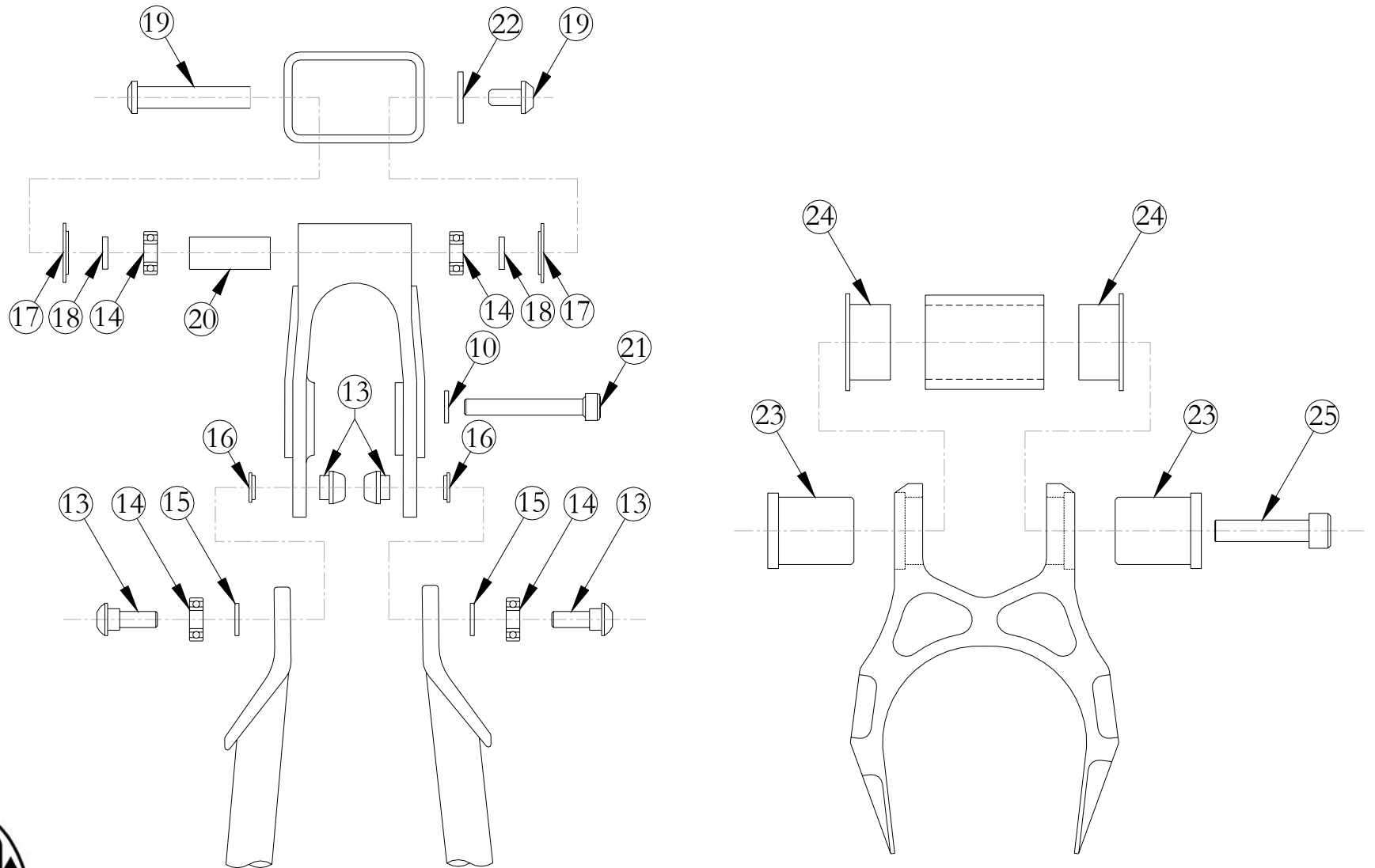


2004 Attack Frame Assembly



2004 Attack Frame Assembly



2004 Attack Frame Assembly

ITEM#	PART#	KIT#	QTY.	DESCRIPTION
1	K04716152		1	04 Front triangle Attack 1.0 Small
1	K04716154		1	04 Front triangle Attack 1.0 Medium
1	K04716156		1	04 Front triangle Attack 1.0 Large
1	K04716158		1	04 Front triangle Attack 1.0 Extra Large
1	K04718152		1	04 Front triangle Attack 2.0 Small
1	K04718154		1	04 Front triangle Attack 2.0 Medium
1	K04718156		1	04 Front triangle Attack 2.0 Large
1	K04718158		1	04 Front triangle Attack 2.0 Extra Large
2	K04720150		1	04 Chainstay Attack
3	K04717152		1	04 Seatstay Attack 1.0 Small
3	K04717154		1	04 Seatstay Attack 1.0 Medium
3	K04717157		1	04 Seatstay Attack 1.0 Large/Extra Large
3	K04719152		1	04 Seatstay Attack 2.0 Small
3	K04719154		1	04 Seatstay Attack 2.0 Medium
3	K04719157		1	04 Seatstay Attack 2.0 Large/Extra Large
4	28-5002-1	RK011	2	Screw M4 x 0.8 FHCS
5	28-4043-4	RK011	1	Derailleur hanger
6	28-8179-1		1	Link
7	28-5027-0-L	K46003	2	Screw, M6 x 1.0 x 20 FHCS
8	28-8165-1	K46003	2	Pivot spacer
9	28-9023-3	K46003	4	Bushing, flanged
10	28-3000-7	K46003	2	Washer Ø12 x Ø6.4 x 1.5
11	28-9078-1	K46003	1	Axle Ø8mm x 34mm + screw M6 x 1.0 x 12 BHCS
12	28-3000-4	K46003	2	Washer Ø16 x 8.5 x 1.0
13	28-9107-0	K46003	2	Axle Ø8mm x 18mm + nut M6 x 1.0
14	28-9038-5	K46003	4	Cartridge bearing Ø16 x Ø8 x 5.0
15	28-3000-B	K46003	2	Washer, seatstay
16	28-9023-6	K46003	2	Seal washer, linkage pivot
17	28-9023-5	K46003	2	Seal washer, linkage pivot
18	28-3000-A	K46003	2	Washer Ø12 x Ø8 x 2.0
19	Q28-9078-4	K46003	1	Axle Ø8mm x 50mm + screw M6 x 1.0 x 12 BHCS
20	28-8181-0	K46003	1	Pivot Spacer
21	28-9005-F-L	K46003	1	Screw, M6 x 1.0 x 64 SHCS
22	28-3000-5	K46003	1	Washer Ø16 x 6.4 x 2.0
23	28-9088-0	K46003	1	Pivot axle, main pivot left and right
24	28-9016-7	K46003	2	Bushing, flanged
25	28-9005-H-L	K46003	1	Screw, M8 x 1.0 x 35 SHCS

