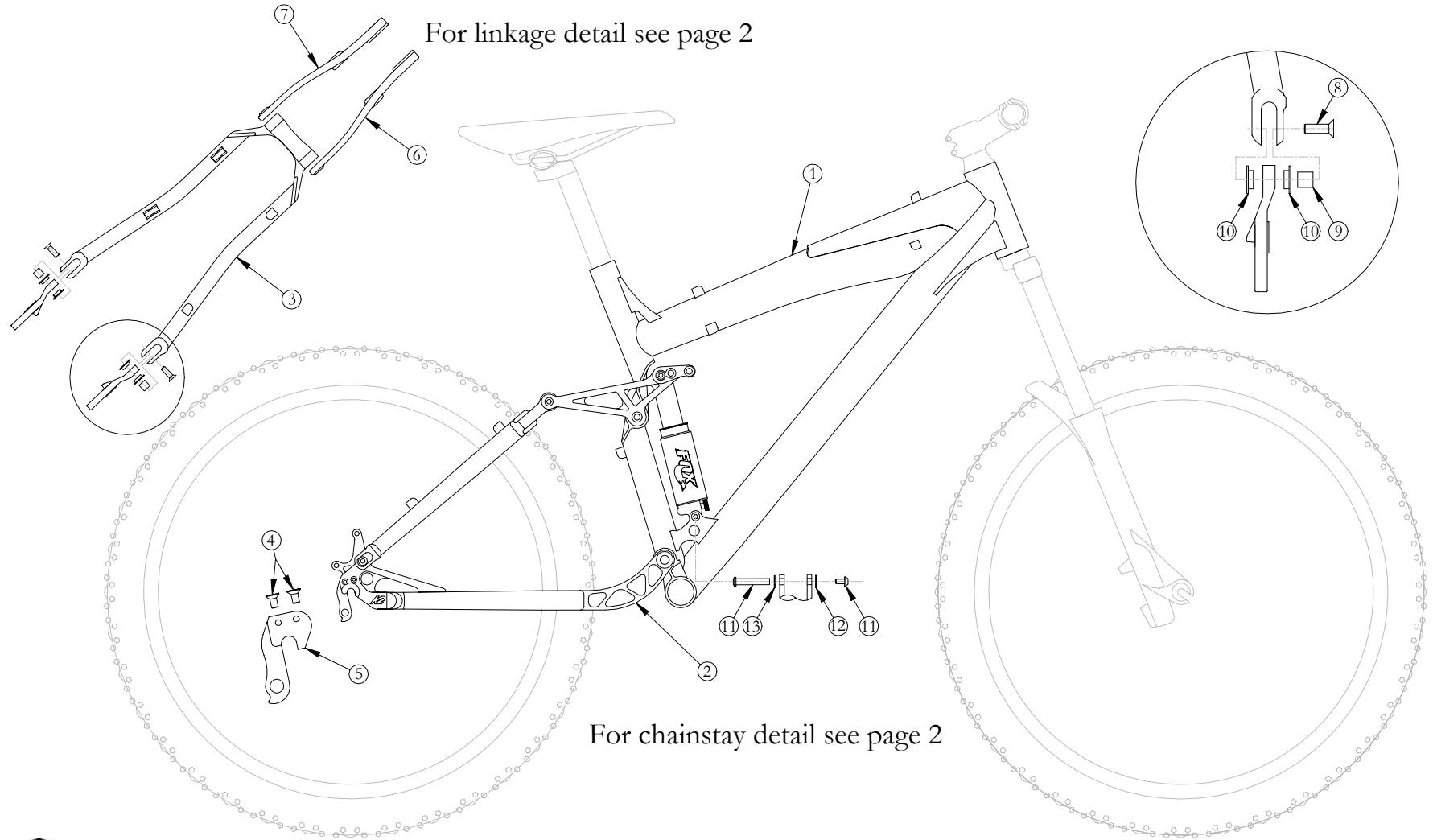
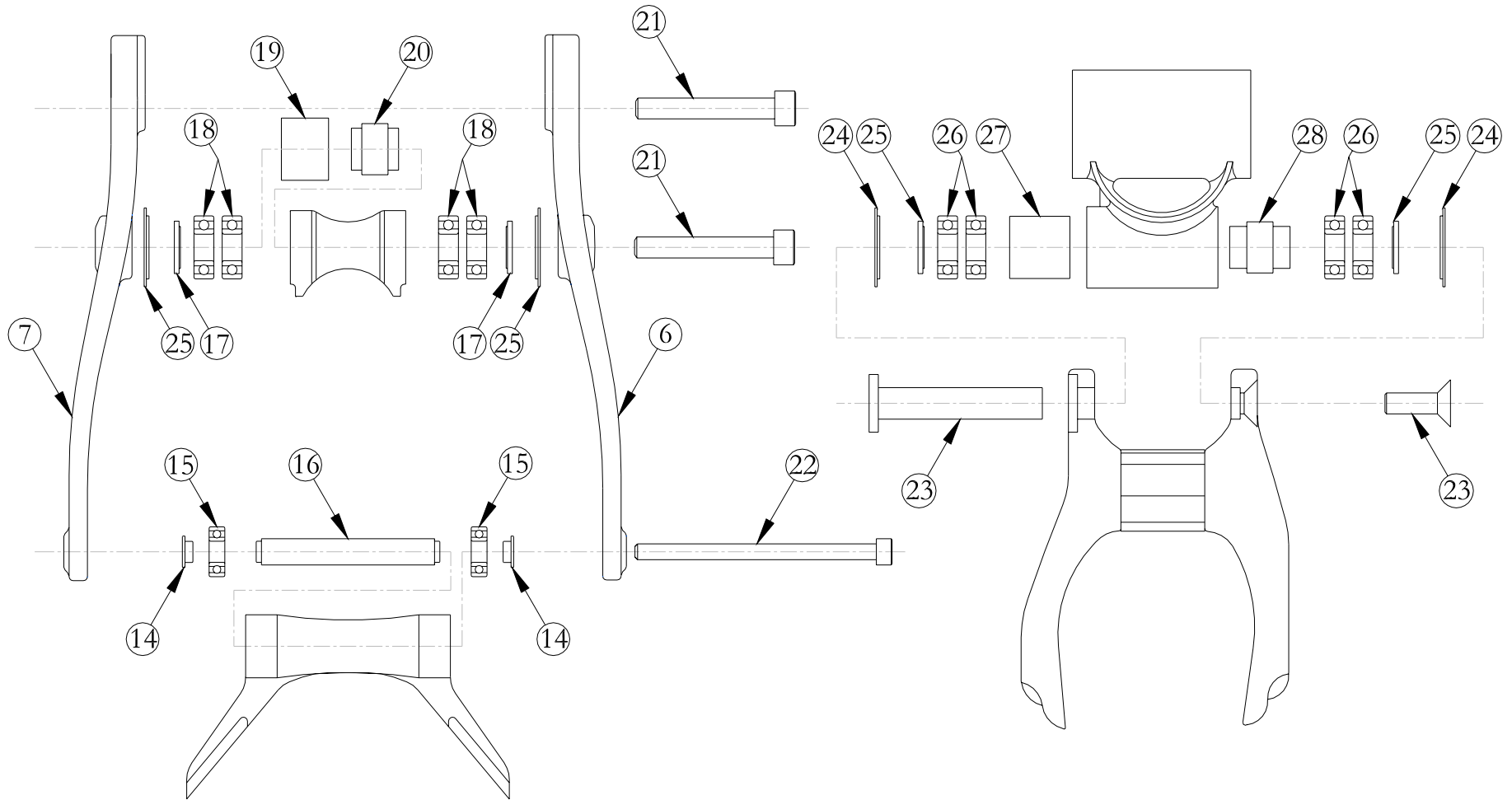


2004 Tirade 5.0, 6.0 Frame Assembly



2004 Tirade 5.0, 6.0 Frame Assembly



2004 Tirade 5.0, 6.0 Frame Assembly

ITEM#	PART#	KIT#	QTY.	DESCRIPTION
1	K04712152		1	04 Front triangle Tirade 5.0 Small
1	K04712154		1	04 Front triangle Tirade 5.0 Medium
1	K04712156		1	04 Front triangle Tirade 5.0 Large
1	K04713152		1	04 Front triangle Tirade 6.0 Small
1	K04713154		1	04 Front triangle Tirade 6.0 Medium
1	K04713156		1	04 Front triangle Tirade 6.0 Large
2	K04715150		1	04 Chainstay Tirade
3	K04714150		1	04 Seatstay Tirade
4	28-5002-1	RK011	2	Screw M4 x 0.8 FHCS
5	28-4043-4	RK011	1	Derailleur hanger
6	28-8236-0-L		1	Linkage plate left
7	28-8236-0-R		1	Linkage plate right
8	28-5027-0-L		2	Screw, M6 x 1.0 x 20 FHCS
9	28-8165-1	K032775110	2	Pivot spacer, dropout inner
10	28-9023-3	K032775110	4	Bushing, flanged
11	28-9078-7		1	Axle Ø8mm x 42mm + screw M6 x 1.0 12 BHCS
12	28-3000-7		1	Washer Ø16 x Ø6.2 x 1.0
13	28-3000-4		1	Washer Ø16 x Ø8.5 x 1.0
14	28-8239-0	K032775110	2	Pivot spacer, seatstay outer
15	28-9038-8	K032775110	2	Cartridge bearing Ø19 x Ø8 x 6.0
16	28-8241-0		1	Pivot spacer, seatstay inner
17	28-5028-1	K032775110	2	Pivot spacer, linkage pivot
18	28-9038-7	K032775110	4	Cartridge bearing Ø19 x Ø8 x 6.0
19	28-8164-3		1	Pivot spacer, linkage pivot outer
20	28-8164-2		1	Pivot spacer, linkage pivot inner
21	28-9005-W		2	Screw, M8 x 1.25 x 68 SHCS
22	28-9005-Y		1	Screw, M6 x 1.0 x 95 SHCS
23	28-9106-1	K032775110	1	Axle, main pivot + screw M8 x 1.25 x 20
24	28-9023-4	K032775110	4	Seal washer, main pivot
25	28-5028-0	K032775110	2	Pivot spacer, main pivot
26	28-9038-4	K032775110	4	Cartridge bearing Ø24 x Ø12 x 6.0
27	28-8164-0		1	Pivot spacer, main pivot outer
28	28-8164-1		1	Pivot spacer, main pivot inner

