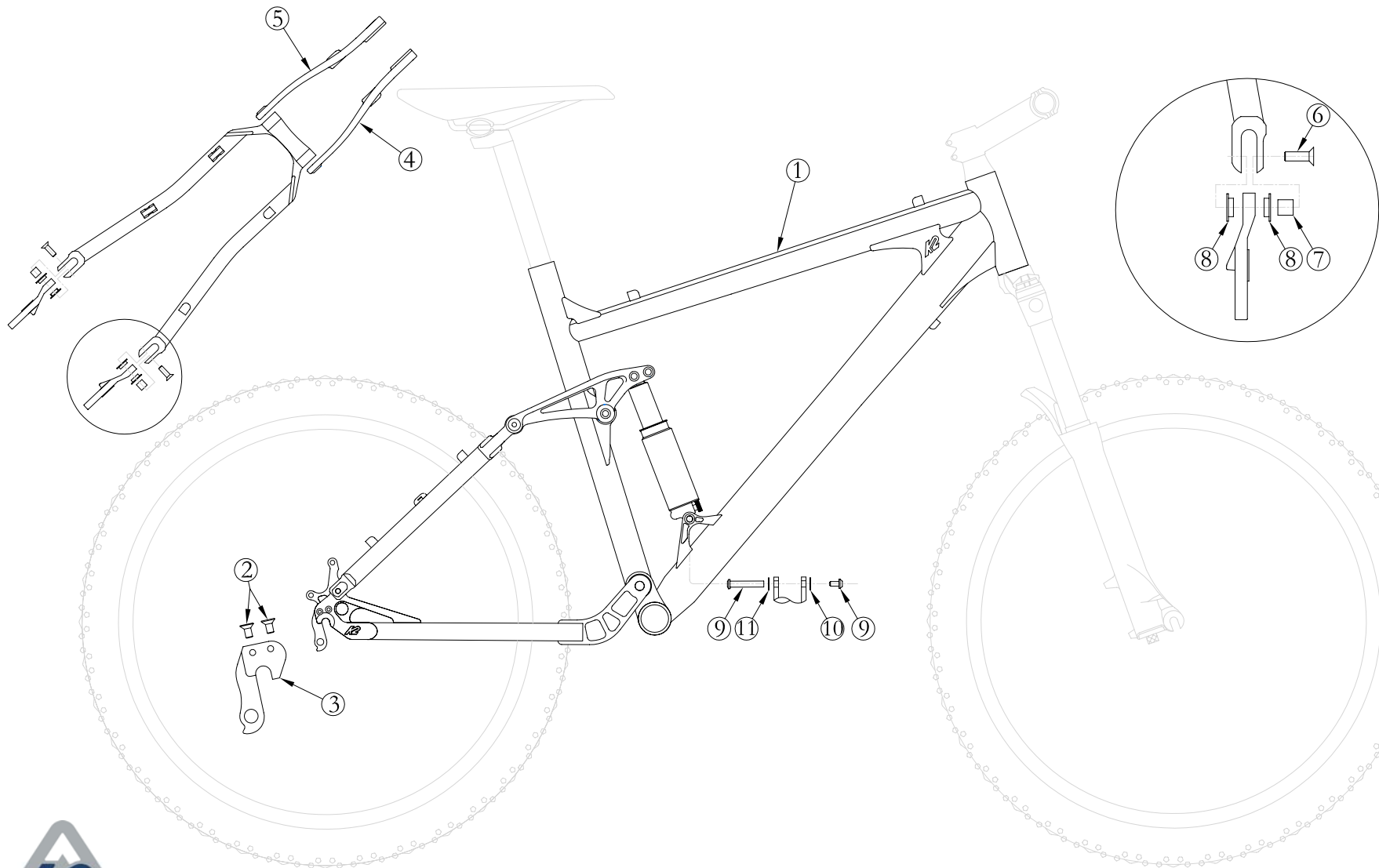
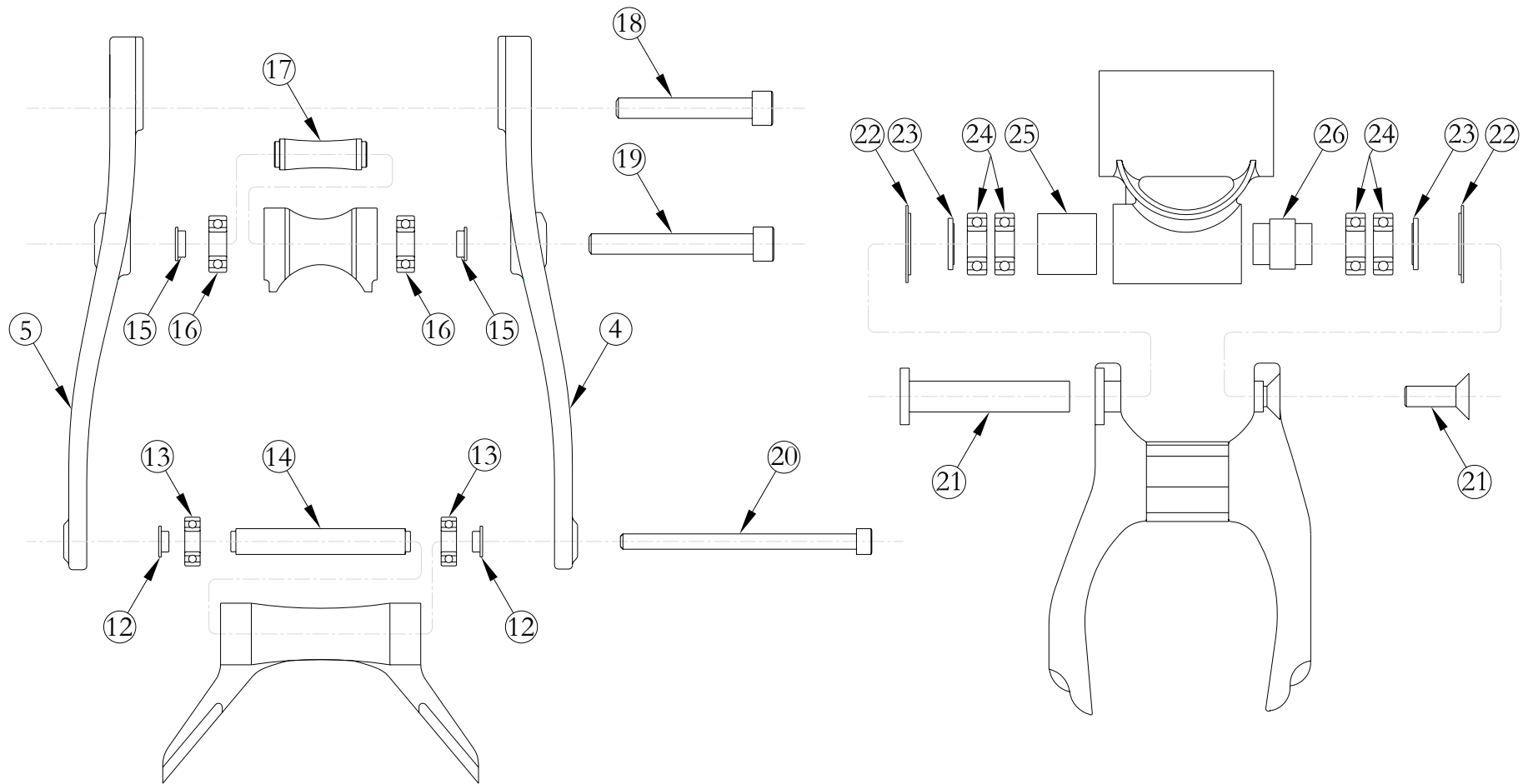


# 2005 Lithium 4.0, 5.0 Frame Assembly



# 2005 Lithium 4.0, 5.0 Frame Assembly



# 2005 Lithium 4.0, 5.0 Frame Assembly

ITEM#	PART#	KIT#	QTY.	DESCRIPTION
1	K057003152		1	04 Front triangle Lithium 4.0 Small
1	K057003154		1	04 Front triangle Lithium 4.0 Medium
1	K057003156		1	04 Front triangle Lithium 4.0 Large
1	K057003158		1	04 Front triangle Lithium 4.0 Extra Large
1	See Lithium 4.0		1	04 Front triangle Lithium 5.0 Small
1	See Lithium 4.0		1	04 Front triangle Lithium 5.0 Medium
1	See Lithium 4.0		1	04 Front triangle Lithium 5.0 Large
1	See Lithium 4.0		1	04 Front triangle Lithium 5.0 Extra Large
2	28-5002-1	RK011	2	Screw M4 x 0.8 FHCS
3	28-4043-4	RK011	1	Derailleur hanger
4	28-9130-4		1	Linkage plate right
5	28-9130-4		1	Linkage plate left
6	28-5027-0-L	K46001	2	Screw, M6 x 1.0 x 20 FHCS
7	28-8165-1	K46001	2	Pivot spacer, dropout inner
8	28-9023-3	K46001	4	Bushing, flanged
9	28-9078-7	K46001	1	Axle Ø8mm x 42mm + screw M6 x 1.0 12 BHCS
10	28-3000-7	K46001	1	Washer Ø16 x Ø6.2 x 1.0
11	28-3000-4	K46001	1	Washer Ø16 x Ø8.5 x 1.0
12	28-8239-0	K46001	2	Pivot spacer, seatstay outer
13	28-9038-8	K46001	2	Cartridge bearing Ø19 x Ø8 x 6.0
14	28-8241-0	K46001	1	Pivot spacer, seatstay inner
15	28-9016-H	K46001	2	Pivot spacer, linkage outer
16	28-9038-B	K46001	2	Cartridge bearing Ø22 x Ø10 x 6.0
17	28-9130-9	K46001	1	Pivot spacer, linkage inner
18	28-5008-5	K46001	1	Screw, M8 x 1.25 x 53 SHCS
19	28-9005-L	K46001	1	Screw, M8 x 1.25 x 64 SHCS
20	28-9005-Z	K46001	1	Screw, M6 x 1.0 x 92 SHCS
21	28-9106-1	K46001	1	Axle, main pivot + screw M8 x 1.25 x 20
22	28-9023-4	K46001	2	Seal washer, main pivot
23	28-5028-0	K46001	2	Pivot spacer, main pivot
24	28-9038-4	K46001	4	Cartridge bearing Ø24 x Ø12 x 6.0
25	28-8164-0	K46001	1	Pivot spacer, main pivot outer
26	28-8164-1	K46001	1	Pivot spacer, main pivot inner

