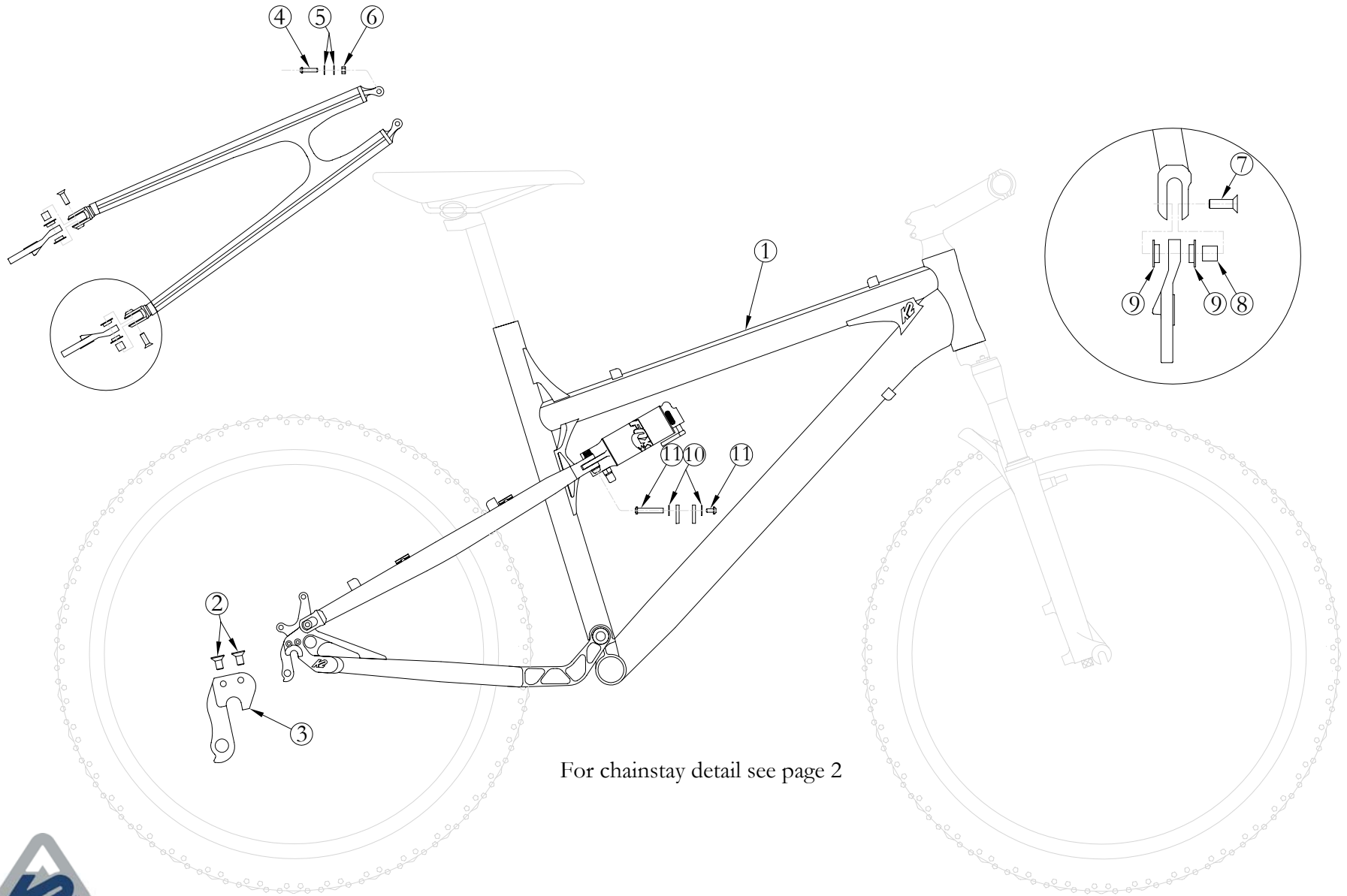
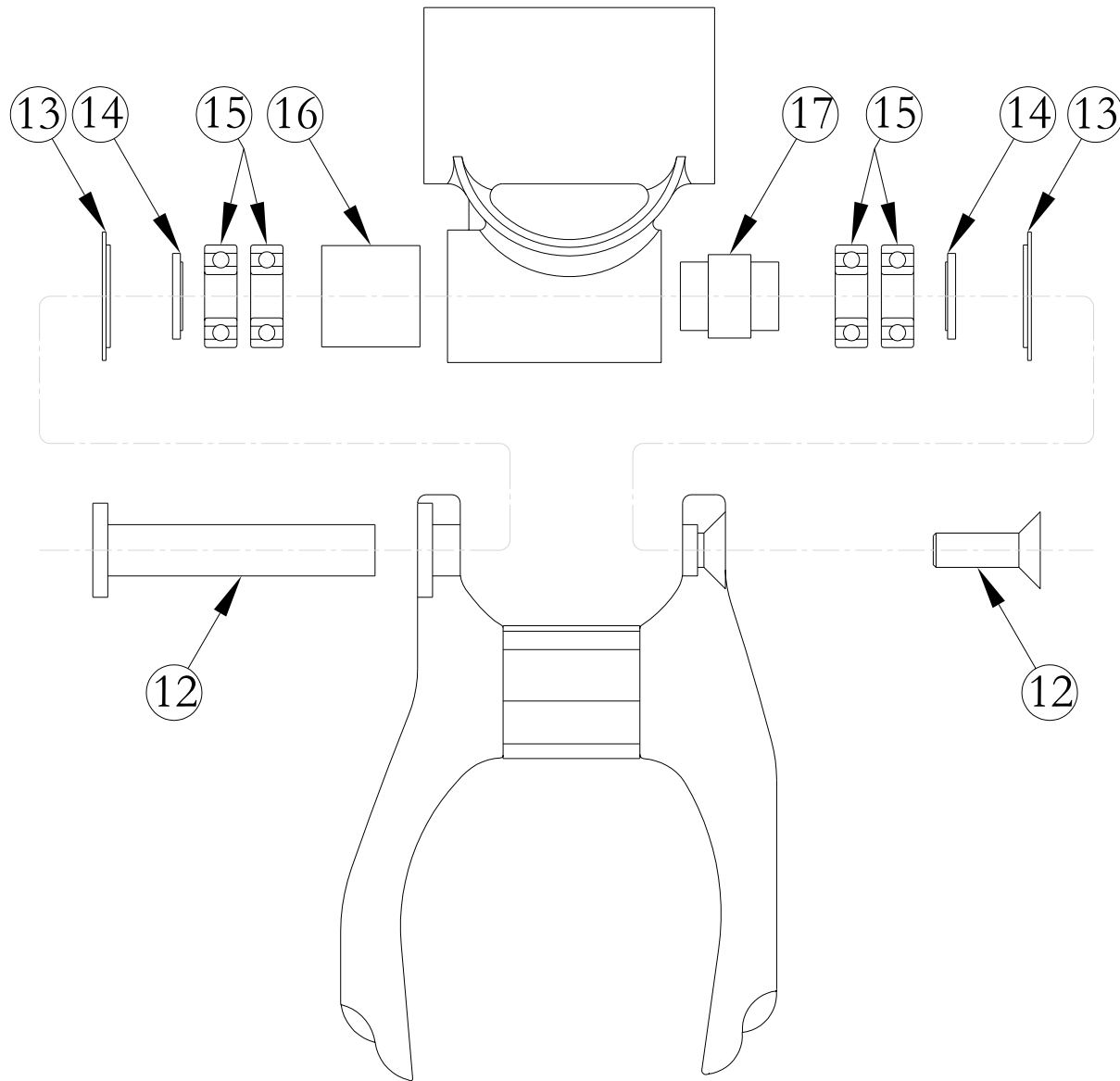


2005 Razorback Frame Assembly



For chainstay detail see page 2

2005 Razorback Frame Assembly



2005 Razorback Frame Assembly

ITEM#	PART#	KIT#	QTY.	DESCRIPTION
1	See Razorback Team		1	05 Frame Set Razorback Comp Small
1	See Razorback Team		1	05 Frame Set Razorback Comp Medium
1	See Razorback Team		1	05 Frame Set Razorback Comp Large
1	See Razorback Team		1	05 Frame Set Razorback Comp Extra Large
1	K057004152		1	05 Frame Set Razorback Team Small
1	K057004154		1	05 Frame Set Razorback Team Medium
1	K057004156		1	05 Frame Set Razorback Team Large
1	K057004158		1	05 Frame Set Razorback Team Extra Large
2	28-5002-1	RK011	2	Screw M4 x 0.8 FHCS
3	28-4043-4	RK011	1	Derailleur hanger
4	28-9120-1		2	Screw M6 x 1.0 x 25 BHCS
5	28-3000-7		4	Washer Ø14 x Ø6.5 x 1.0
6	28-3001-7		2	Nut M6
7	28-5027-0-L		2	Screw, M6 x 1.0 x 20 FHCS
8	28-8165-1	K0225705151	2	Pivot spacer, dropout inner
9	28-9023-3	K0225705151	4	Bushing, flanged
10	28-3000-7		2	Washer Ø14 x Ø6.5 x 1.0
11	28-9122-0		1	Axle Ø6.3mm x 30mm + screw M5 x 0.8 x 12mm FHCS
12	28-9106-1	K0225705151	1	Axle, main pivot + screw M8 x 1.25 x 20
13	28-9023-4	K0225705151	2	Seal washer, main pivot
14	28-5028-0		2	Pivot spacer, main pivot
15	28-9038-4	K0225705151	4	Cartridge bearing Ø24 x Ø12 x 6.0
16	28-8164-0		1	Pivot spacer, main pivot outer
17	28-8164-1		1	Pivot spacer, main pivot inner

