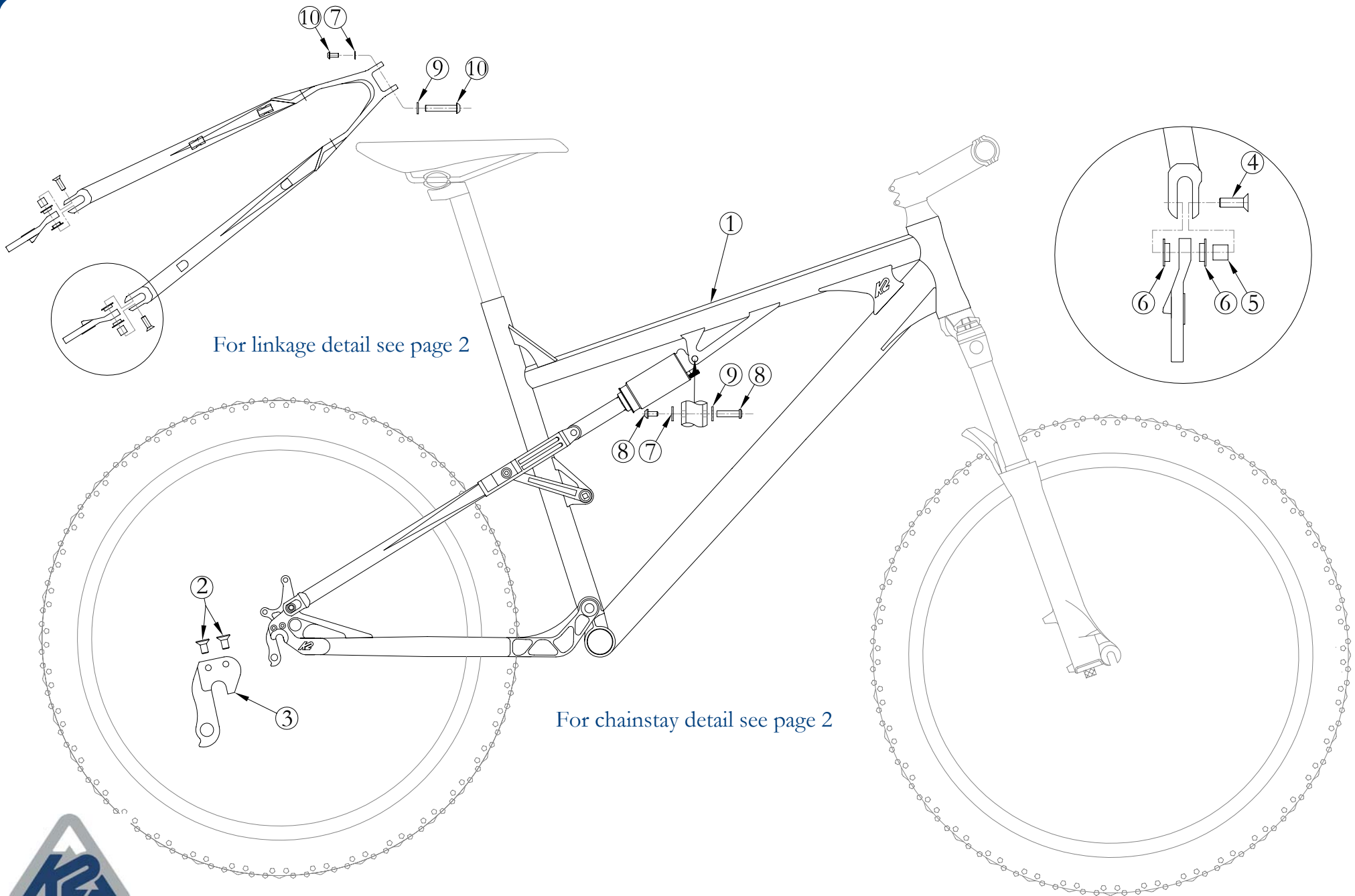
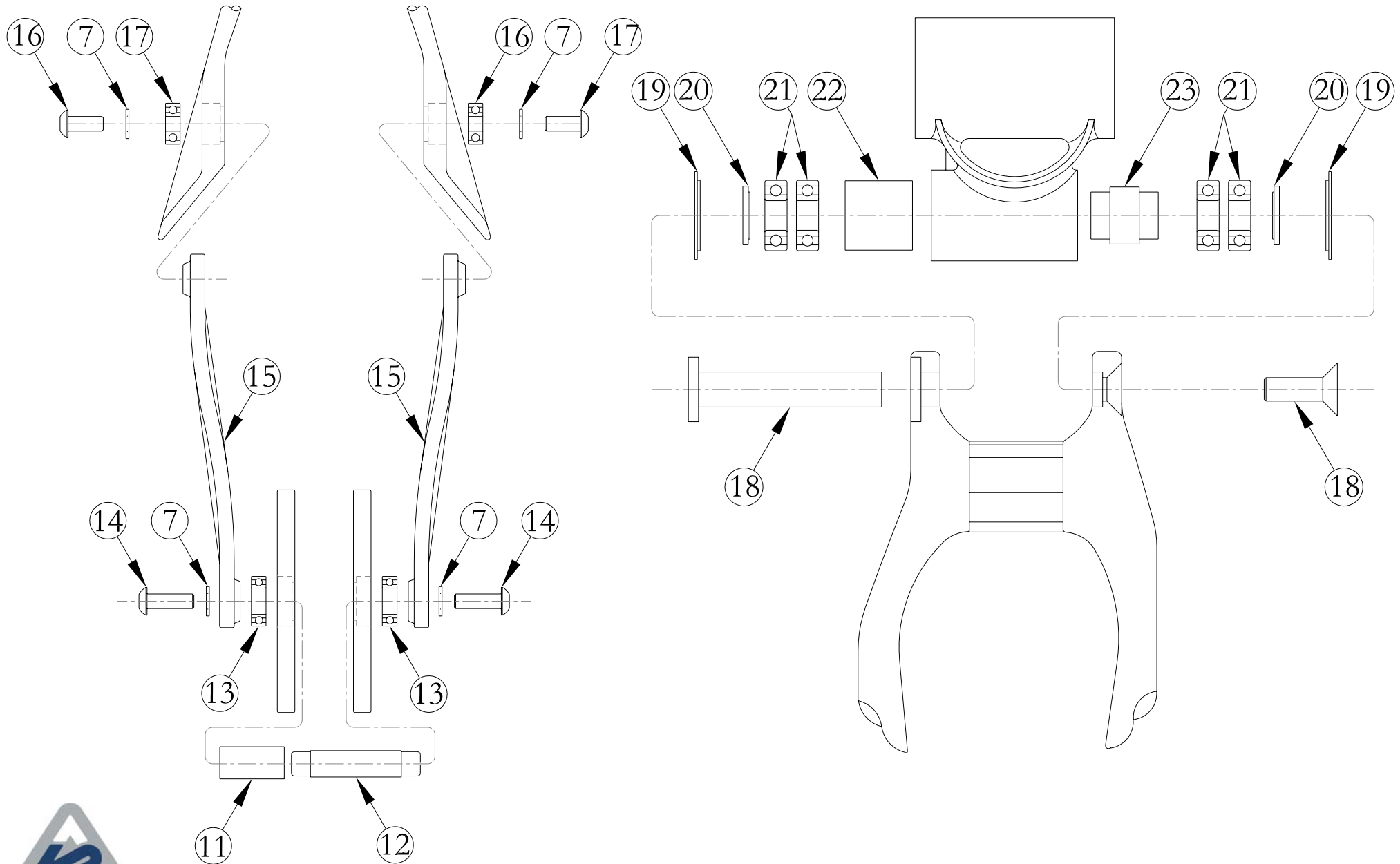


# 2006 Apache 5.0 & 6.0 Frame Assembly



# 2006 Apache 5.0 & 6.0 Frame Assembly



# 2006 Apache 5.0 & 6.0 Frame Assembly

ITEM#	PART#	KIT#	QTY.	DESCRIPTION
1	See Apache 6.0		1	06 Frame set Apache 5.0 Small
1	See Apache 6.0		1	06 Frame set Apache 5.0 Medium
1	See Apache 6.0		1	06 Frame set Apache 5.0 Large
1	See Apache 6.0		1	06 Frame set Apache 5.0 Extra Large
1	K065702152		1	06 Frame set Apache 6.0 Small
1	K065702154		1	06 Frame set Apache 6.0 Medium
1	K065702156		1	06 Frame set Apache 6.0 Large
1	K065702158		1	06 Frame set Apache 6.0 Extra Large
2	28-5002-1	RK011	2	Screw M4 x 0.8 FHCS
3	28-4043-1	RK011	1	Deraileur hanger
4	28-5027-0-L	K069502050	2	Screw, M6 x 1.0 x 20 FHCS
5	28-8165-1	K069502050	2	Pivot spacer, dropout inner
6	28-9023-3	K069502050	4	Bushing, flanged
7	28-3000-Z	K069502050	6	Washer Ø10 x Ø5.2 x 1.0
8	28-9078-3	K069502050	1	Axle Ø8mm x 32mm + screw M6 x 1.0 x 12 BHCS
9	28-3000-F	K069502050	2	Washer Ø15.5 x Ø8.4 x 1.6
10	28-9078-7	K069502050	1	Axle Ø8mm x 42mm + screw M6 x 1.0 12 BHCS
11	28-8005-6	K069502050	1	Pivot spacer, link pivot outer
12	28-8004-D	K069502050	1	Axle, seattube link pivot
13	28-9173-I	K069502050	2	Cartridge bearing Ø17 x Ø9 x 5
14	28-5041-8-L	K069502050	2	Screw, M5 x 0.8 x 20 BHCS
15	28-9194-3		2	Seatstay link
16	28-9173-J	K069502050	2	Cartridge bearing Ø14 x Ø5 x 5
17	28-5041-9-L	K069502050	2	Screw, M5 x 0.8 x 15 BHCS
18	28-9106-1	K069502050	1	Axle, main pivot + screw M8 x 1.25 x 20
19	28-9023-4	K069502050	2	Seal washer, main pivot
20	28-5028-0	K069502050	2	Pivot spacer, main pivot
21	28-9173-4	K069502050	4	Cartridge bearing Ø24 x Ø12 x 6.0
22	28-8164-0	K069502050	1	Pivot spacer, main pivot outer
23	28-8164-1	K069502050	1	Pivot spacer, main pivot inner

